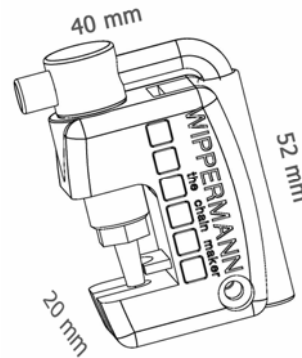


- **Compact emergency tool**
- **Connex Link included**
- **Weighs only 80 Grams**



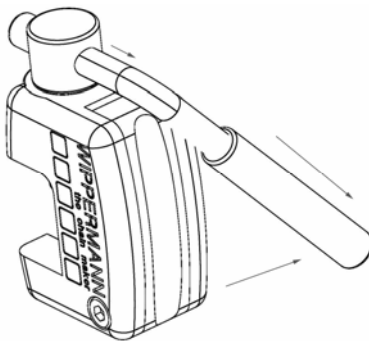
This tool is the perfect assistant in case of an emergency. If a chain breaks just remove the defective link and connect the chain with the included Connex link.

### Open the chaintool

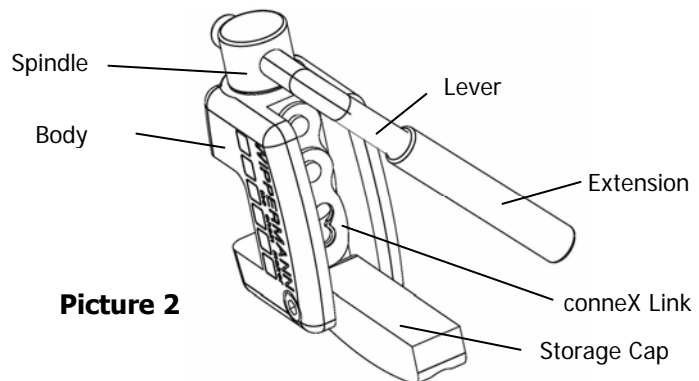
**Caution!** The Connex link inside can easily drop from the body once the storage cap is opened.

**(Picture 1)** Move the lever to the side to permit opening of the storage cap.

**(Picture 2)** Open the storage cap and remove the Connex Link.



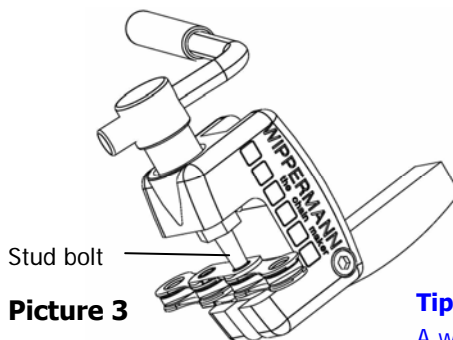
**Picture 1**



**Picture 2**

### Cutting the chain

Place the chain in the guides. Screw the stud bolt until it meets the head of the chain pin. Make sure that the chain is fixed and the stud bolt is in alignment with the pin that needs to be pushed out. Now screw the lever until it pressed the pin out. **(Picture 3)**



**Picture 3**

#### Tip

A well-lubricated spindle improves function and reduces required effort.