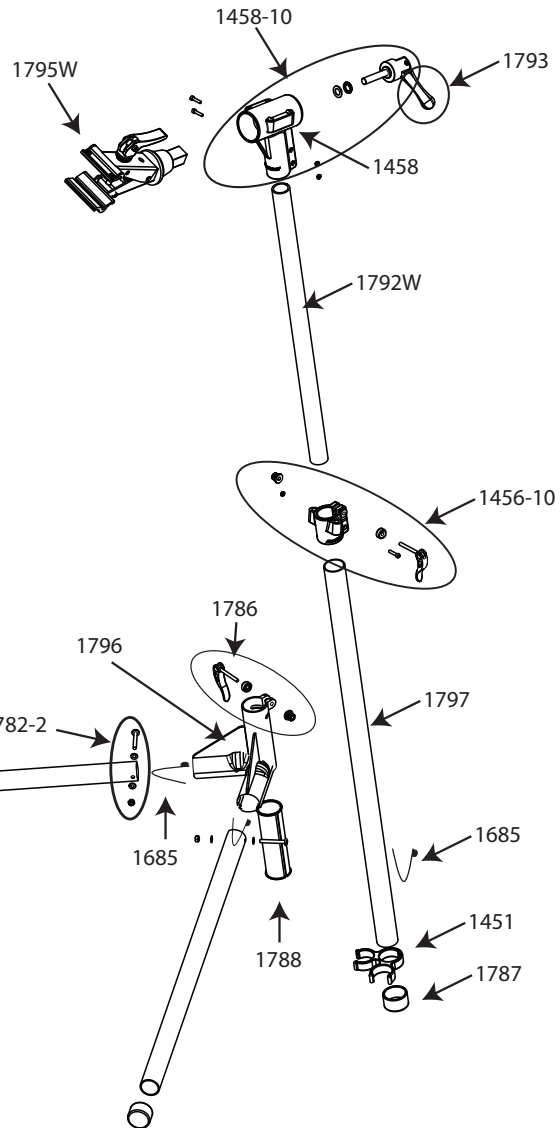
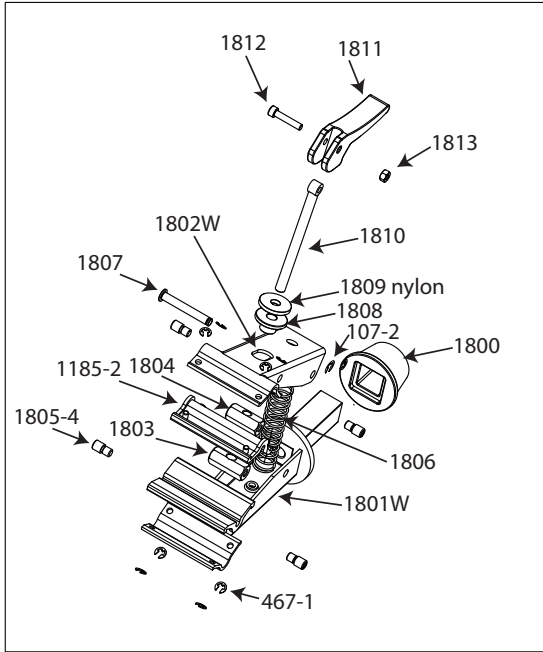




PARK TOOL CO.
6 Long Lake Rd • St. Paul, MN 55115
www.parktool.com

Home Mechanic Repair Stand PCS-10

POST-9/07



PCS-10 Stand

Part No.	Description
1451	leg clip
1456-10	extension collar assembly (includes QR, nut & bolt)
1458	composite top tube only
1458-10	complete top tube assembly
1685	spring button
1780-2	leg cap
1781-2W	steel leg
1782-2	leg bolt, nut and washers
1786	yoke QR assembly
1787	upright cap
1788	yoke sleeve
1792W	steel extension tube
1793	composite top tube swing handle
1795W	complete clamp
1796	yoke
1797	upright tube

PCS-10 Clamp

Part No.	Description
107-2	clevis pin c-clip
467-1	jaw c-clip
1185-2	jaw covers
1800	tapered compression cone
1801W	rotating jaw - steel
1802W	moveable jaw - steel
1803	hex barrel - rotating jaw (threaded center hole)
1804	hex barrel - moveable jaw (unthreaded center hole)
1805-4	cap screw
1806	spring
1807	clevis pin
1808	step bushing
1809	nylon washer
1810	clamp screw
1811	cam lever
1812	cam lever bolt
1813	cam lever nut