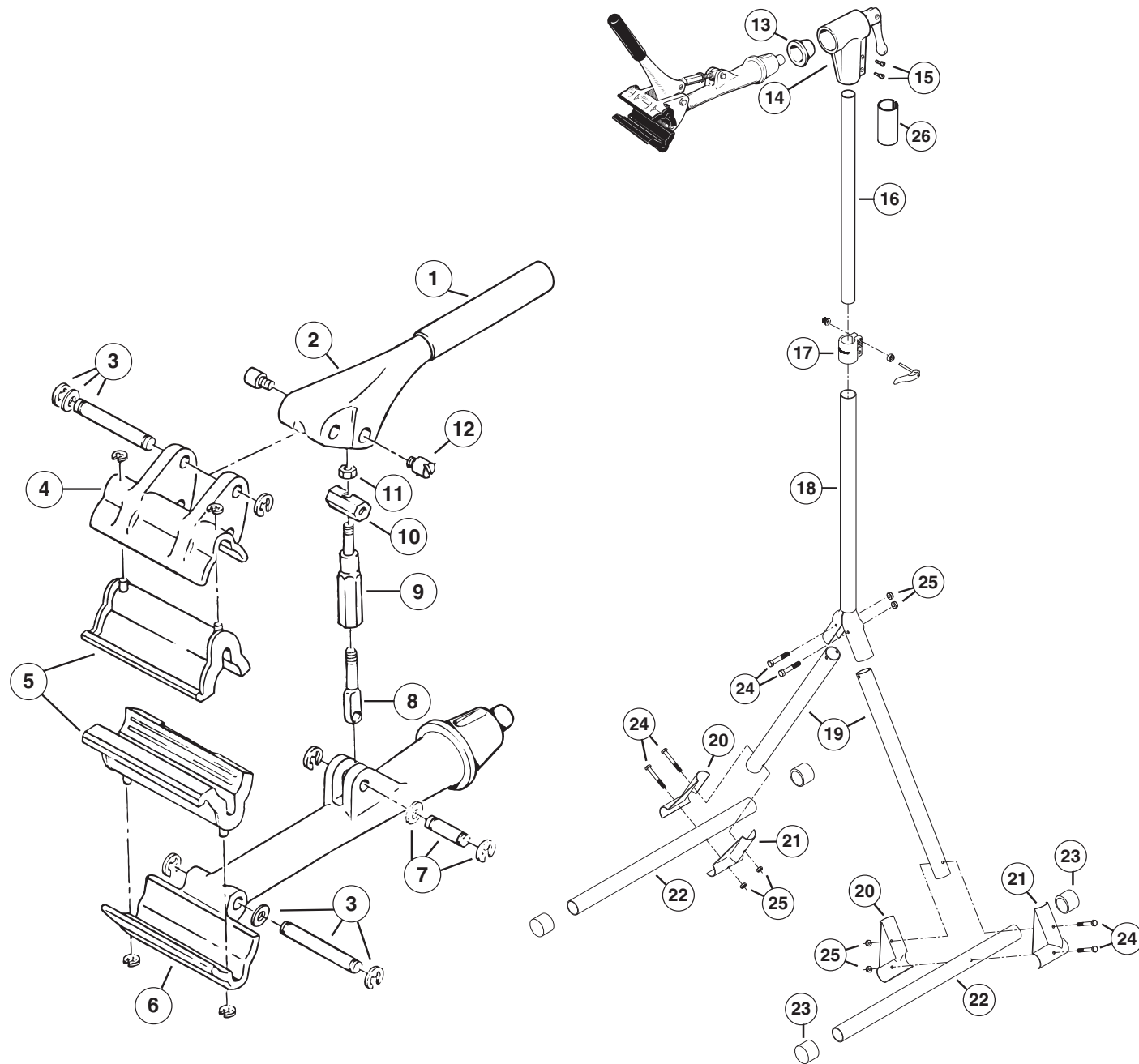




DELUXE HOME MECHANIC REPAIR STAND PCS-4



PARTS LIST FOR PCS-4 DELUXE HOME MECHANIC REPAIR STAND

Ref. No.	Part No.	Description	Qty.
1	138	Handle Grip	1
2	103S	Handle	1
3	107S-2	Pin with Washers and Circlips (see note)	2
4	101-3	Moveable Jaw	1
5	468B	Jaw Cover Set (2), Includes Circlips	1
6	102-5	Rotating Shaft	1
7	108S-2	Pin with Washers and Circlips (see note)	1
8	117S-1	Eyebolt	1
9	118S	Adjusting Barrel	1
10	121S	Adjusting Barrel Pivot	1
11	136	Nut 1/4 - 28	1
	122S	Linkage Assembly, Includes Items 8 through 11	
12	116S	Cap Screw	2
13	149	Tapered Sleeve	1
14	939C	Universal Top Tube Assembly	1
15	943-1/944	M5 x 25 Socket Head Cap Screw with 5mm nut	2
16	927	Extension Tube	1
17	928A	Sleeve Assembly	1
18	185-2R	Upright Weldment	1
19	472-2	23" Upper Leg Tube	2
20	474-2L	Left Elbow	2
21	473-2R	Right Elbow	2
22	475-2	26" Lower Leg Tube	2
23	190-2	Leveling End Cap	4
24	479-6	Hex Head Bolt 1/4 - 20 x 2	6
25	480-6	Jam Nylok Nut 1/4 - 20	6
26	926	Nylon Shim	1

Note: Washers should be used as required to account for variations in casting taper.