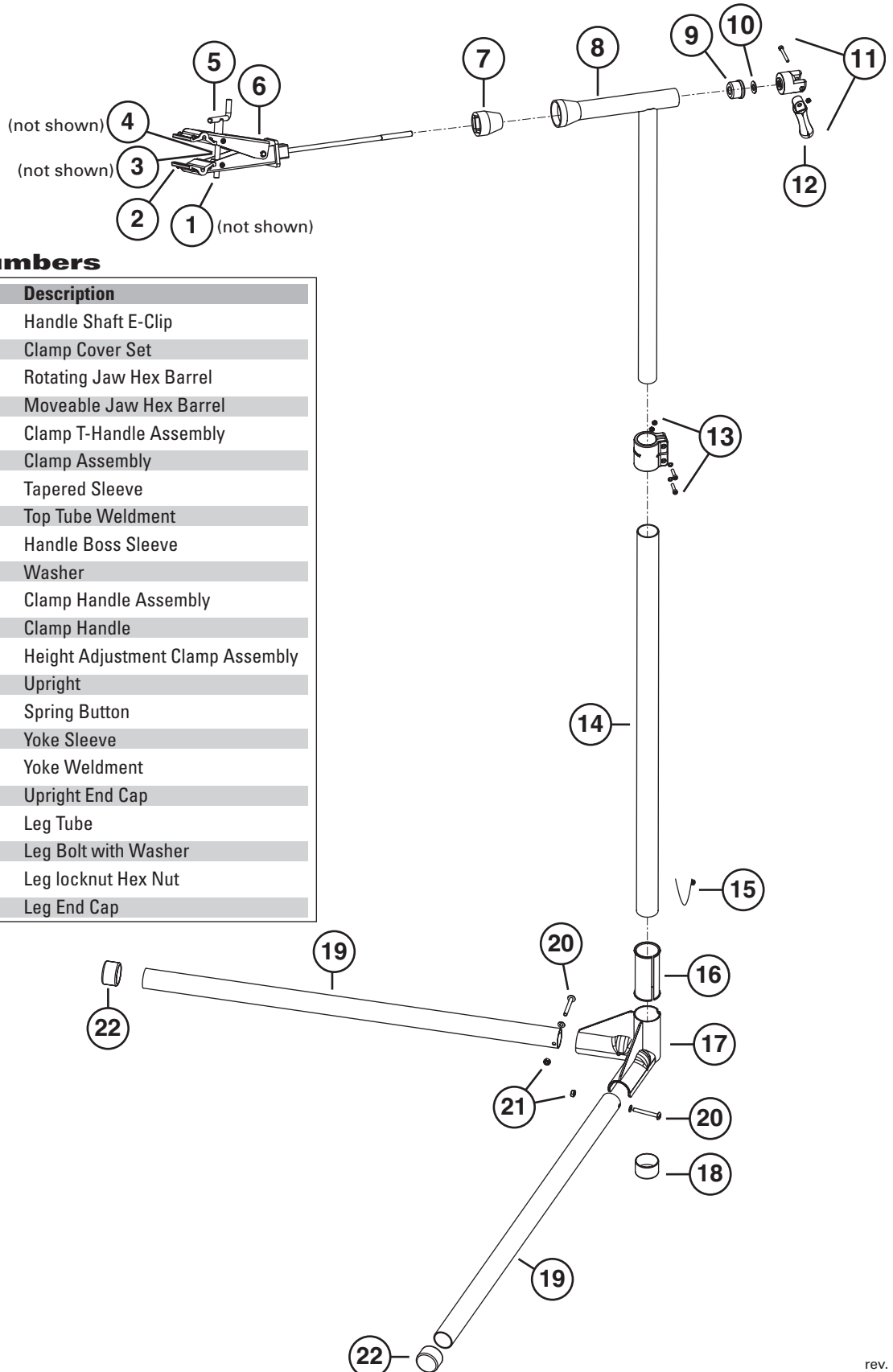




Economy Home Repair Stand PCS-9

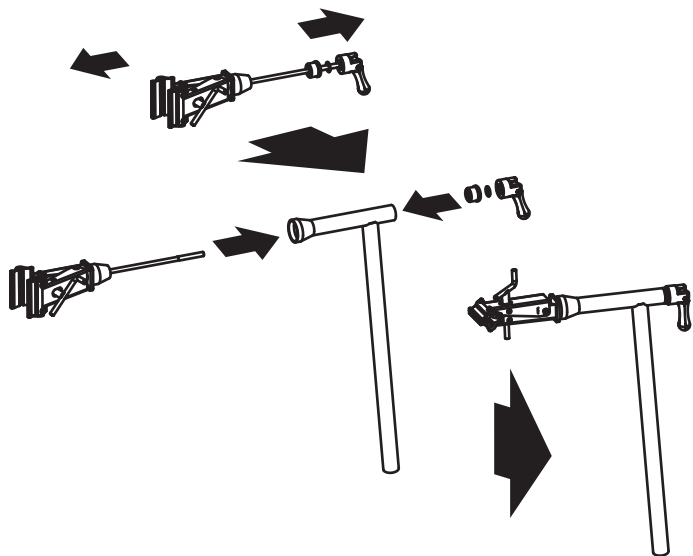
Park Tool Co. 6 Long Lake Rd. St. Paul, MN 55115 (USA) www.parktool.com



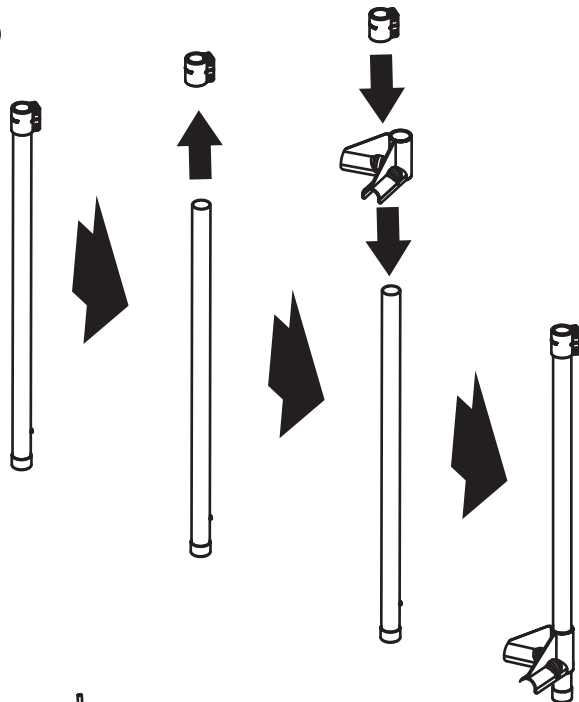
PCS-9 part numbers

Ref. No.	Part No.	Description
1	1697	Handle Shaft E-Clip
2	1185K	Clamp Cover Set
3	1803	Rotating Jaw Hex Barrel
4	1804	Moveable Jaw Hex Barrel
5	1674	Clamp T-Handle Assembly
6	1675	Clamp Assembly
7	1676	Tapered Sleeve
8	1677W	Top Tube Weldment
9	1678	Handle Boss Sleeve
10	1679	Washer
11	1680-2	Clamp Handle Assembly
12	1681	Clamp Handle
13	1686	Height Adjustment Clamp Assembly
14	1682	Upright
15	1685	Spring Button
16	1683	Yoke Sleeve
17	1684	Yoke Weldment
18	1691	Upright End Cap
19	1692-2W	Leg Tube
20	1693-2	Leg Bolt with Washer
21	1695-2	Leg locknut Hex Nut
22	1696-2	Leg End Cap

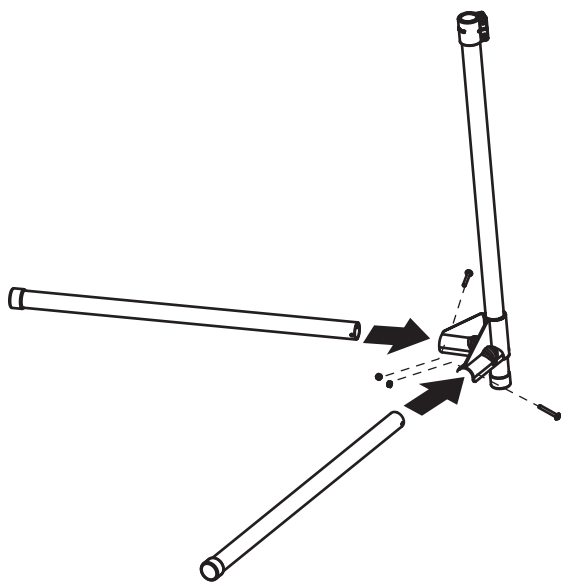
1



2



3



4

