



# Team Race Stand PRS-20 / PRS-21

Park Tool Co. 6 Long Lake Rd. St. Paul, MN 55115 (USA) www.parktool.com

Part No.	Description	Qty.
1	1729A Front Quick Release Assembly	1
2	1722A Rear Quick Release Assembly	1
3	1728 Slider Tube Weldment	1
4	1721 Slider Rear Axle Extension	1
5	1706-2 Knob and Shaft	2
6	1715-2 Horizontal Beam End Cap	2
7	1716R Horizontal Beam Tube (PRS-20 only)	1
7	1734R Aluminum Horizontal Beam Tube (PRS-21 only)	1
8	1257-2 Saddle Button Head Socket Cap Screw 1/4 - 20 x 3/8"	2
9	1711R Bottom Bracket Saddle	1
10	1283X Pivot Button Head Socket Cap Screw M10 x 50	1
11	1723 Hitch Pin	1
12	1724-2 Bracket Washer	2
13	1285X Pivot Screw Nylok Nut	1
14	1709L Left Upright Bracket	1
15	1709R Right Upright Bracket	1
16	1709S Buckle & Strap Assembly	1
17	290 Nylok Nut	2
18	1709-2 Upright Bracket Bolt	2
19	1708 Upright Tube (PRS-20 only)	1
19	1733 Aluminum Upright Tube (PRS-21 only)	1
20	1707 Clamping Collar Quick Release Assembly	1
21	1701 Upright Sleeve	1
22	1705 Yoke Weldment	1
23	479-6 Leg Bolt 1/4 - 20 x 2"	3
24	1700-3 Leg Tube (PRS-20 only)	3
24	1732-3 Aluminum Leg Tube (PRS-21 only)	3
25	1780-2 Leg Cap	3
26	480-6 Leg Nylok Nut 1/4 - 20"	3

Note: Washers should be used as required to account for variations in casting taper.

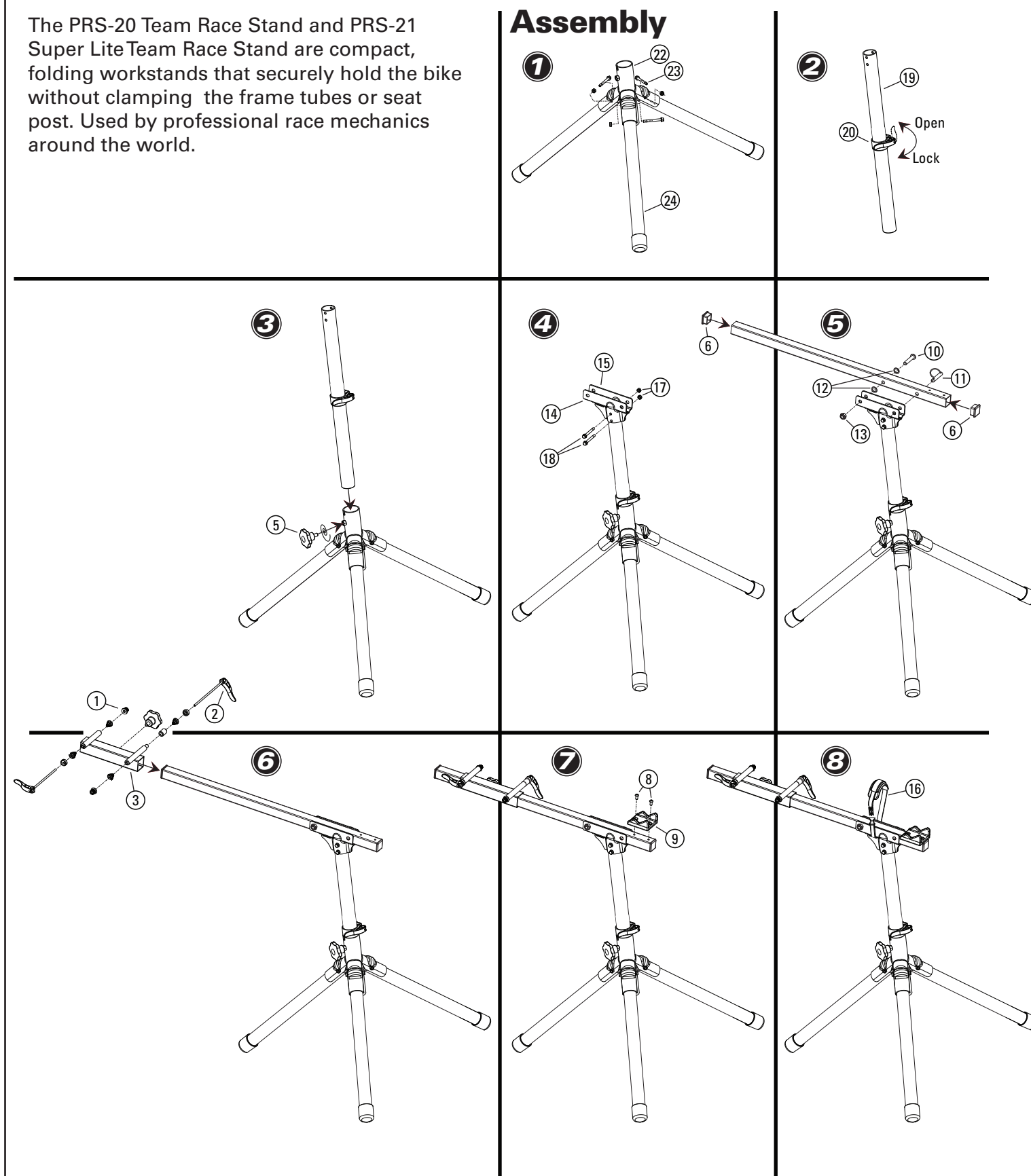


# Team Race Stand PRS-20 / PRS-21

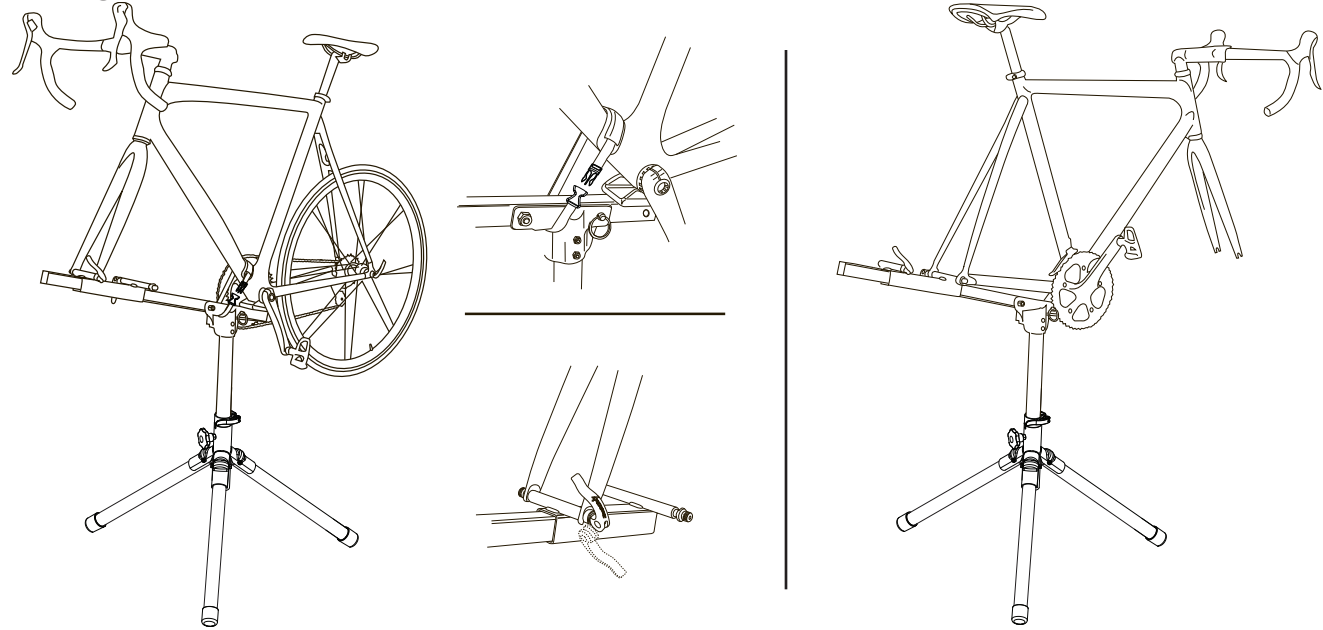
Park Tool Co. 6 Long Lake Rd. St. Paul, MN 55115 (USA) www.parktool.com

The PRS-20 Team Race Stand and PRS-21 Super Lite Team Race Stand are compact, folding workstands that securely hold the bike without clamping the frame tubes or seat post. Used by professional race mechanics around the world.

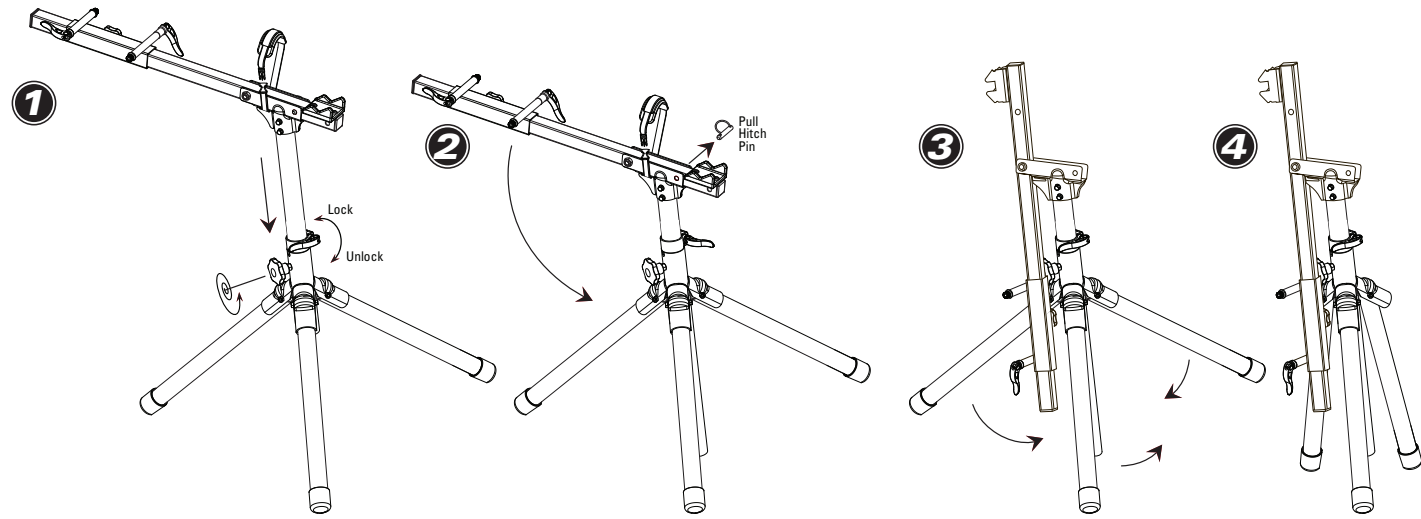
## Assembly



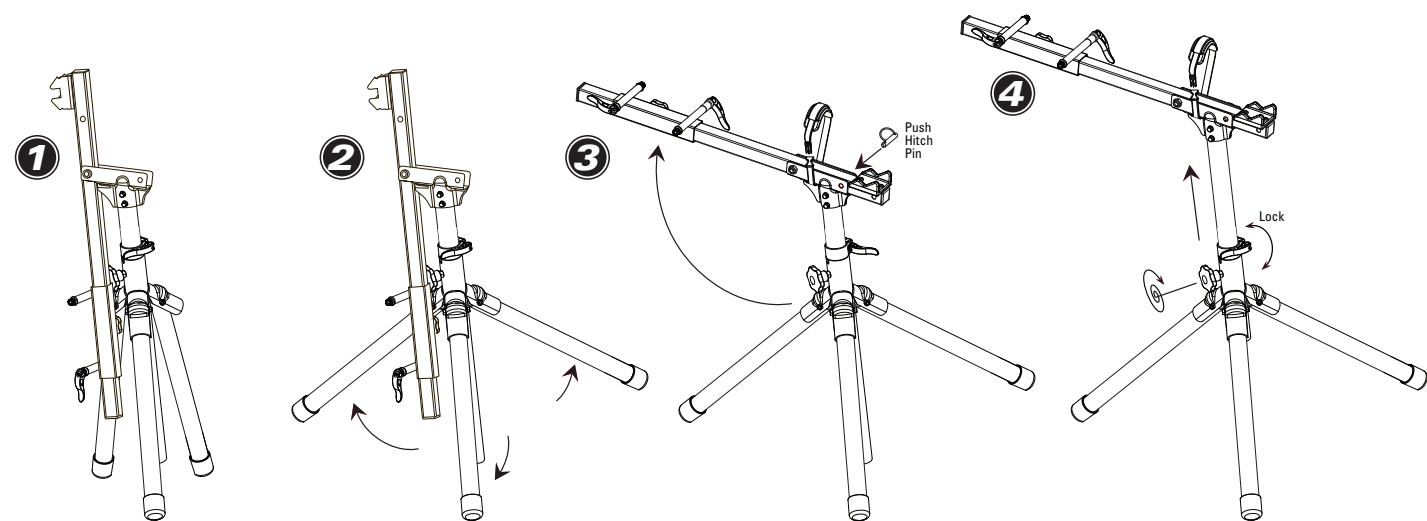
### Mounting Bike in PRS-20 / PRS-21



### Folding for Storage



### Unfolding for Use



## Team Race Stand PRS-20 / PRS-21

Park Tool Co. 6 Long Lake Rd. St. Paul, MN 55115 (USA) [www.parktool.com](http://www.parktool.com)

