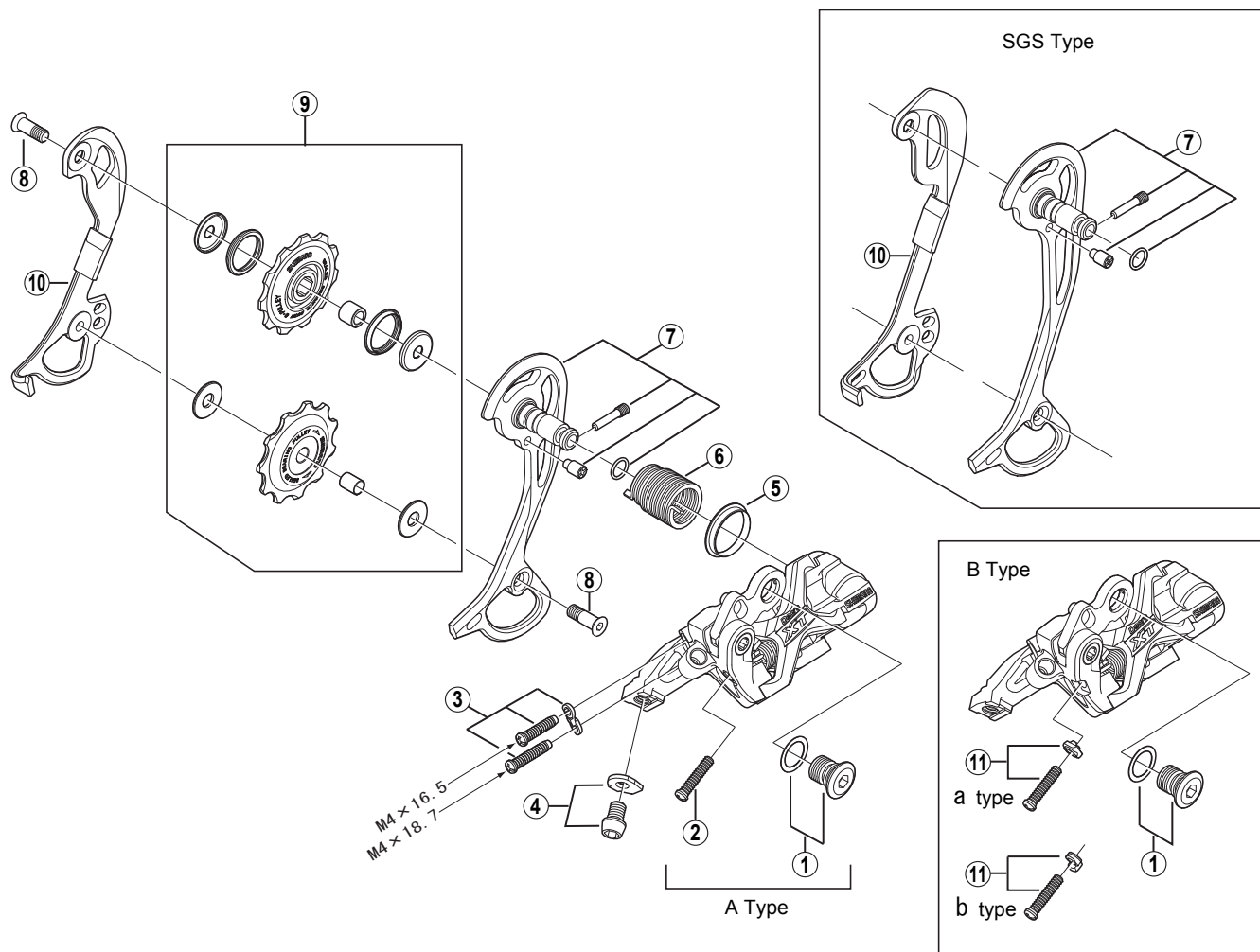


DEORE XT Rear Derailleur

**RD-M772 (GS)** Long Cage

**RD-M772 (SGS)** Super Long Cage



RD-M972  
RD-M770  
RD-M771

ITEM NO.	SHIMANO CODE NO.	DESCRIPTION	INTERCHANGEABILITY		
1	Y-5W7 98110	B-Axle Assembly			
* 2	Y-556 25060	B-Tension Adjusting Screw (M4 x 18) B-type	B		
	Y-556 25040	B-Tension Adjusting Screw (M4 x 18) A-type	B		
3	Y-5W7 98020	Stroke Adjusting Screws & Plate	B		
4	Y-5W7 98030	Cable Fixing Bolt (M5 x 8) & Plate	B		
5	Y-5UC 14000	P-Seal Ring	A	A	A
6	Y-5W7 22000	P-Tension Spring	B		
7	Y-5W7 98040	Outer Plate Assembly (GS-Type)			
	Y-5W7 98050	Outer Plate Assembly (SGS-Type)			
8	Y-53M 24400	Pulley Bolt	B		
9	Y-5W7 98080	Guide & Tension Pulley Unit			
	Y-5W7 09000	Inner Plate (GS-Type)	B		
10	Y-5W7 10000	Inner Plate (SGS-Type)	B		
	Y-5W7 98100	B-Tension Adjusting Screw (M4 x 18) & Plate a-Type			
11	Y-5W7 98120	B-Tension Adjusting Screw (M4 x 18) & Plate b-Type			

A: Same parts.

B: Parts are usable, but differ in materials, appearance, finish, size, etc.

Absence of mark indicates non-interchangeability.

0802-2707E

Specifications are subject to change without notice.

**SHIMANO**