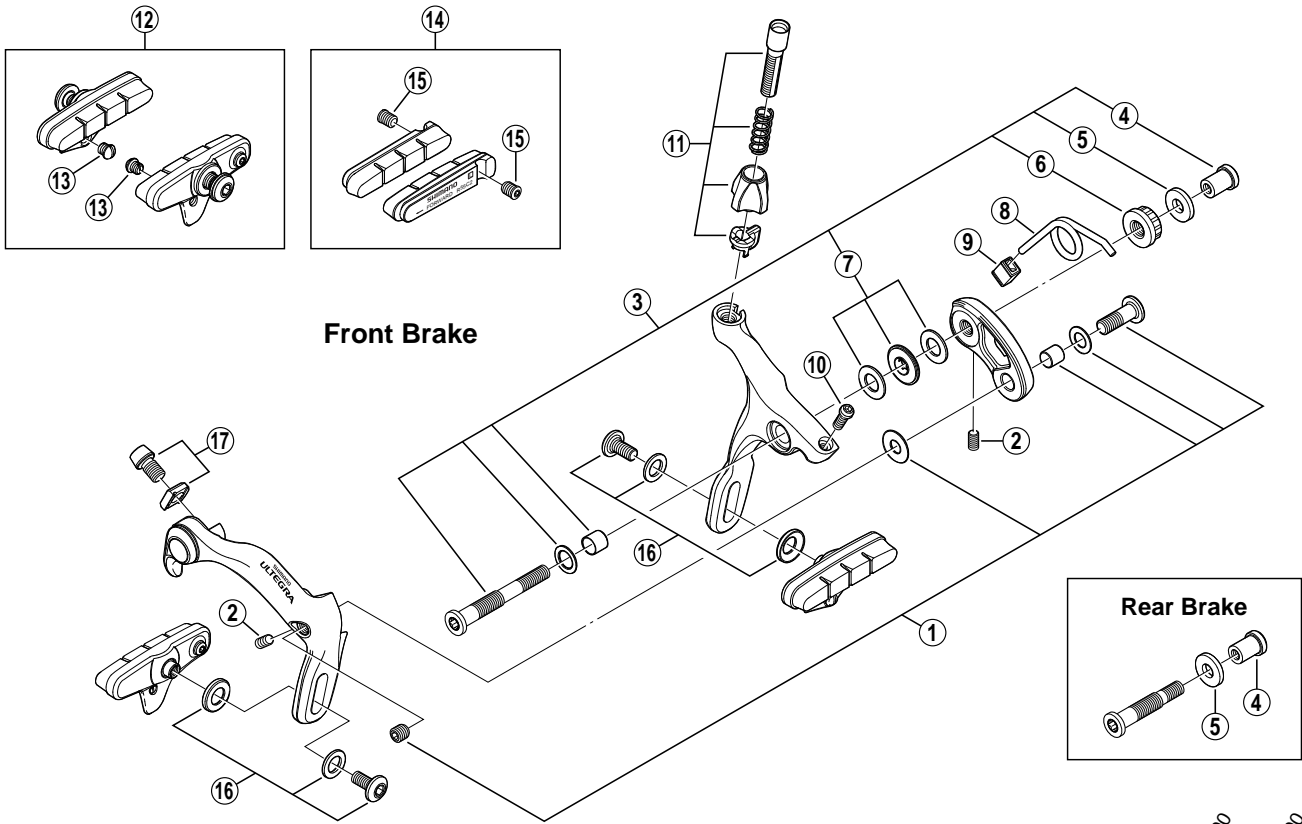


ULTEGRA Caliper Brake

**BR-6600** Silver Version

**BR-6600-G** Ice Grey Version



BR-7800  
BR-6500

ITEM NO.	SHIMANO CODE NO.	DESCRIPTION	INTERCHANGEABILITY	
1	Y-8DD98010	Arm Bolt Unit (M6 x 17.5)		
2	Y-884 14200	Set Bolt (M4)		A
*	Y-8F5 98010	Front Pivot Bolt Assembly {Pivot Bolt: 52.5 mm (2-1/16") / Pivot Nut: 10.5 mm}		
*	Y-8F5 98020	Front Pivot Bolt Assembly {Pivot Bolt: 52.5 mm (2-1/16") / Pivot Nut: 12.5 mm}		
*	Y-8F5 98030	Front Pivot Bolt Assembly {Pivot Bolt: 52.5 mm (2-1/16") / Pivot Nut: 18.0 mm}		
*	Y-8F5 98040	Front Pivot Bolt Assembly {Pivot Bolt: 52.5 mm (2-1/16") / Pivot Nut: 27.0 mm}		
*	Y-8F5 98050	Rear Pivot Bolt Assembly {Pivot Bolt: 37.8 mm (1-1/2") / Pivot Nut: 10.5 mm}		
*	Y-8F5 98060	Rear Pivot Bolt Assembly {Pivot Bolt: 37.8 mm (1-1/2") / Pivot Nut: 12.5 mm} for BR-6600		
4	Y-855 75110	Pivot Nut (10.5 mm) for Front/Rear	A	A
	Y-855 75020	Pivot Nut (12.5 mm) for Front/Rear	A	A
	Y-855 74010	Pivot Nut (18.0 mm) for Front	A	A
	Y-8A0 23000	Pivot Nut (27.0 mm) for Front	A	
5	Y-858 50100	Spacer-R (2 mm)		
6	Y-8DD04000	Lock Nut (M7)		
7	Y-84B 98050	Ball Retainer Unit (φ 7)	A	A
8	Y-8DD05000	Arm Spring		
9	Y-8DD06000	Sleeve		
10	Y-8FA 09100	EC-Bolt (M4 x 10.2)		
11	Y-8DD98080	Cable Adjusting Bolt Unit		
* 12	Y-8DD98090	R55C2 Cartridge-Type Brake Shoe Set (Pair) for BR-6600		
	Y-8F5 98070	R55C2 Cartridge-Type Brake Shoe Set (Pair) for BR-6600-G		
13	Y-8FA 16000	Tire Guide	A	A
14	Y-8A0 98020	R55C2 Cartridge-Type Brake Shoes & Fixing Bolts (Pair)	A	
15	Y-8FA 17000	Fixing Bolt (M4 x 5.5)	A	A
16	Y-8DD98100	Shoe Fixing Bolt Unit (M5 x 11.2)		
* 17	Y-8DD98110	Cable Fixing Bolt (M6 x 8.5) & Plate for BR-6600		
	Y-8F5 98080	Cable Fixing Bolt (M6 x 8.5) & Plate for BR-6600-G		

A: Same parts.

B: Parts are usable, but differ in materials, appearance, finish, size, etc.

Absence of mark indicates non-interchangeability.

0705-2368A

Specifications are subject to change without notice.

**SHIMANO**