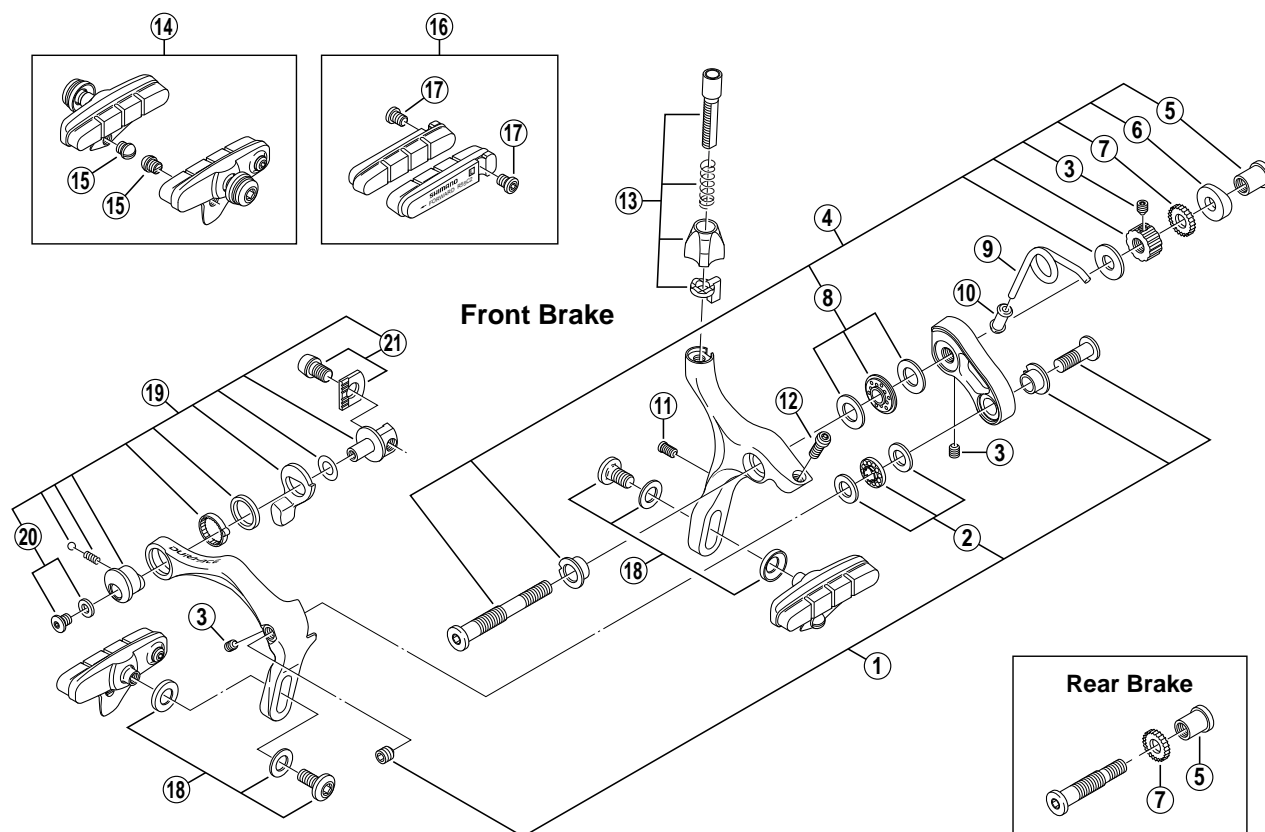


DURA-ACE Caliper Brake BR-7800



ITEM NO.	SHIMANO CODE NO.	DESCRIPTION
1	Y-8A0 98040	Arm Bolt Unit (M6 x 17.5)
2	Y-8A0 98060	Ball Retainer Unit (φ6)
3	Y-884 14100	Set Bolt (M4)
4	Y-8A0 98070	Front Pivot Bolt Assembly {Pivot Bolt: 52.5 mm (2-1/16") / Pivot Nut: 10.5 mm}
	Y-8A0 98080	Front Pivot Bolt Assembly {Pivot Bolt: 52.5 mm (2-1/16") / Pivot Nut: 12.5 mm}
	Y-8A0 98090	Front Pivot Bolt Assembly {Pivot Bolt: 52.5 mm (2-1/16") / Pivot Nut: 18.0 mm}
	Y-8A0 98100	Front Pivot Bolt Assembly {Pivot Bolt: 52.5 mm (2-1/16") / Pivot Nut: 27.0 mm}
	Y-8A0 98110	Rear Pivot Bolt Assembly {Pivot Bolt: 37.8 mm (1-1/2") / Pivot Nut: 10.5 mm}
5	Y-855 75110	Pivot Nut (10.5 mm) for Front/Rear
	Y-855 75020	Pivot Nut (12.5 mm) for Front
	Y-855 74010	Pivot Nut (18.0 mm) for Front
	Y-8A0 23000	Pivot Nut (27.0 mm) for Front
6	Y-855 27000	R-Washer for Front
7	Y-870 08100	Set Washer (φ12)
8	Y-84B 98050	Ball Retainer Unit (φ7)
9	Y-8FA 08000	Arm Spring
10	Y-84B 11000	Sleeve
11	Y-8BW11100	Arm Spring Adjusting Bolt
12	Y-8FA 09000	EC-Bolt (M4 x 10.2)
13	Y-8A0 98120	Cable Adjusting Bolt Unit
14	Y-8A0 98010	R55C2 Cartridge-Type Brake Shoe Set (Pair)
15	Y-8FA 16000	Tire Guide
16	Y-8A0 98020	R55C2 Cartridge-Type Brake Shoes & Fixing Bolts (Pair)
17	Y-8FA 17000	Fixing Bolt (M4 x 5.5)
18	Y-8A0 98030	Shoe Fixing Bolt Unit (M5 x 11.2)
19	Y-8A0 98140	Quick Release Assembly
20	Y-8FA 98110	Quick Release Fixing Bolt (M4 x 4.8) & Washer
21	Y-8A0 98150	Cable Fixing Bolt (M6 x 8.5) & Plate

0508-2249A