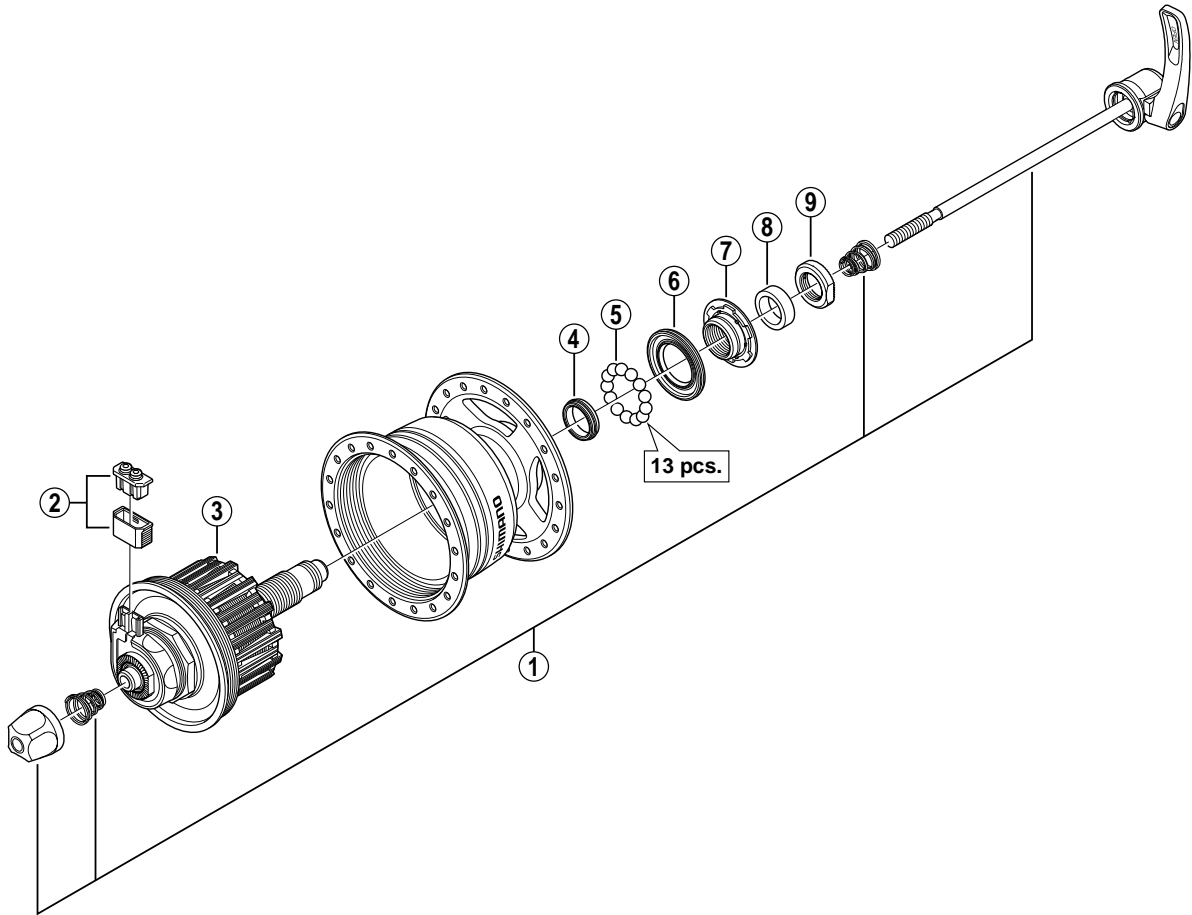


Hub Dynamo
DH-3N80 6V-3W
DH-2N80-E 6V-2.4W



DH-3N71
 DH-3N20
 DH-2N30-E

ITEM NO.	SHIMANO CODE NO.	DESCRIPTION	INTERCHANGEABILITY
1	Y-20E 98010	Complete Quick Release 133 mm (5-1/4")	B
2	Y-2SS 98030	Connector Cap & Cover	A A A
3	Y-2Z4 98010	Internal Assembly (Axle Length 108 mm) for DH-3N80	
	Y-2Z5 98010	Internal Assembly (Axle Length 108 mm) for DH-2N80-E	
4	Y-2Z4 13000	Grease Guard	
5	Y-000 91210	Steel Ball (3/16") 20 pcs.	A A A
6	Y-2Z4 12000	Seal Ring	
7	Y-2Z4 98020	Cone (M14 x 10.73 mm) w/Dust Cover	
8	Y-2Z4 16000	Left Hand Spacer (5.2 mm)	
9	Y-2Z4 10000	Serated Lock Nut (M12 x 4.5 mm)	

A: Same parts.
 B: Parts are usable, but differ in materials, appearance, finish, size, etc.
 Absence of mark indicates non-interchangeability.

0708-2732A

Specifications are subject to change without notice.

SHIMANO