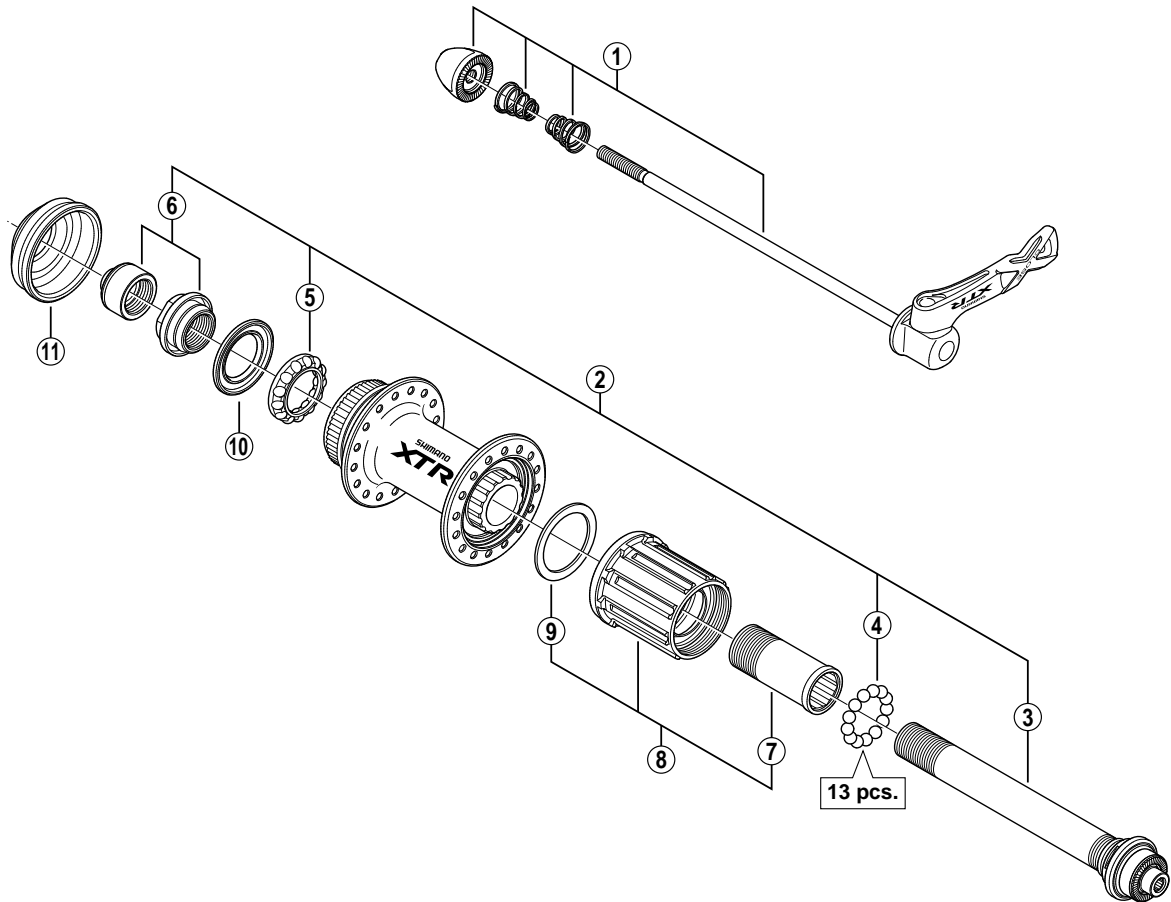


XTR Freehub (8/9-Speed)
FH-M975 For Disc Brake



• Over Lock Nut Dimension: 135 mm (5-5/16")

ITEM NO.	SHIMANO CODE NO.	DESCRIPTION	INTERCHANGEABILITY	
			FH-M985	WH-M975
1	Y-3CN98010	Complete Quick Release 168 mm (6-5/8")	B	A
	Y-3CN98020	Complete Quick Release 173 mm (6-13/16")	B	A
2	Y-3CN98030	Complete Hub Axle		A
3	Y-3CN98040	Hub Axle Unit		A
4	Y-000 91270	Stainless Ball (3/16") 22 pcs.		A
5	Y-25R 98080	Ball Retainer (3/16")		A
6	Y-3CN98050	Left Hand Lock Nut (M14) & Cone (M14) w/Dust Cover		A
7	Y-3CN17000	Body Fixing Bolt		A
8	Y-3CN98080	Complete Freewheel Body w/Body Fixing Bolt		A
9	Y-3CN07000	Freewheel Body Washer		A
10	Y-26D 10000	Seal Ring		A
11	Y-24Z 02000	Rotor Mount Cover	A	A

A: Same parts.

B: Parts are usable, but differ in materials, appearance, finish, size, etc.

Absence of mark indicates non-interchangeability.

0806-2547B

Specifications are subject to change without notice.

SHIMANO