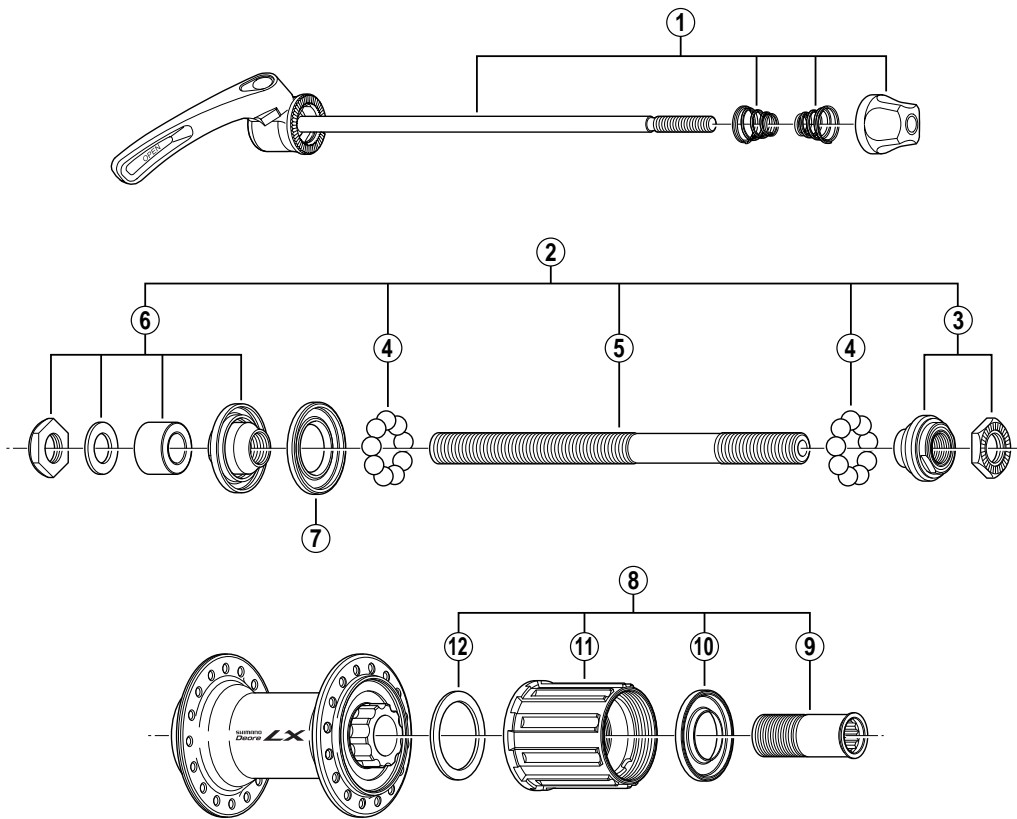


DEORE LX Freehub
FH-T660 8/9-Speed



• Over Lock Nut Dimension: 135 mm (5-5/16")

| ITEM NO. | SHIMANO CODE NO. | DESCRIPTION | INTERCHANGEABILITY | |
|----------|------------------|--|--------------------|---------|
| | | | FH-M760 | FH-M580 |
| 1 | Y-3CS 98010 | Complete Quick Release 168 mm (6-5/8") | | |
| | Y-3CS 98020 | Complete Quick Release 173 mm (6-13/16") | | |
| 2 | Y-3D6 98010 | Complete Hub Axle 146 mm (5-3/4") | | |
| 3 | Y-3D6 98020 | Right Hand Lock Nut Unit | | |
| 4 | Y-000 91310 | Steel Ball (1/4") 18 pcs. | A | A |
| 5 | Y-30K 01200 | Hub Axle M10 x 146 mm (5-3/4") | | A |
| 6 | Y-3D6 98030 | Left Hand Lock Nut Unit | | |
| 7 | Y-3CR 09000 | Left Hand Seal Ring | | |
| 8 | Y-3D6 98040 | Complete Freewheel Body | | |
| 9 | Y-3BL 03000 | Body Fixing Bolt | A | A |
| 10 | Y-3CR 08000 | Right Hand Seal Ring | | |
| 11 | Y-3D6 98050 | Freewheel Body Unit | | |
| 12 | Y-375 04000 | Freewheel Body Washer | A | A |

A: Same parts.

B: Parts are usable, but differ in materials, appearance, finish, size, etc.

Absence of mark indicates non-interchangeability.

0805-2842

Specifications are subject to change without notice.

SHIMANO