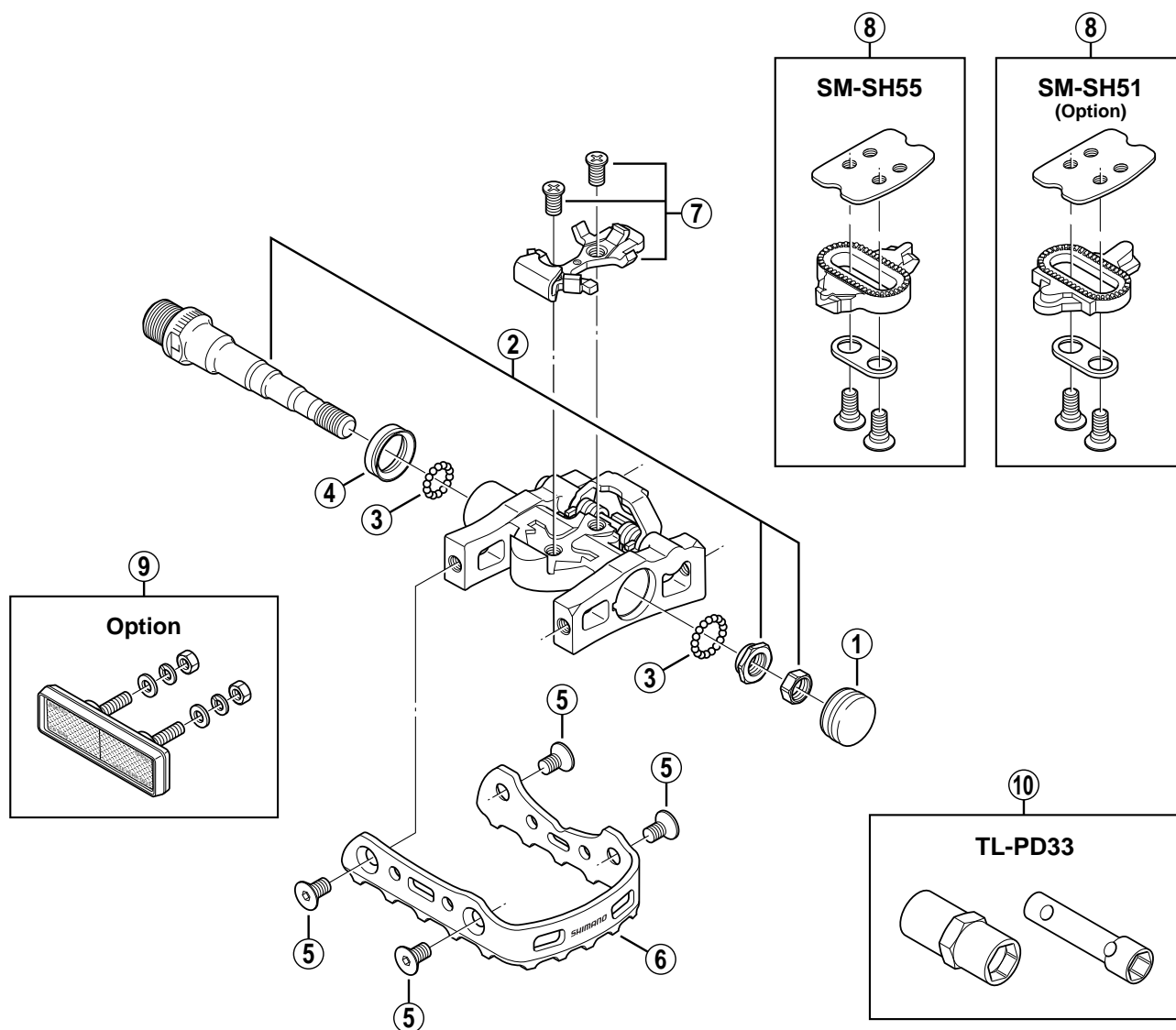


SPD Compatible Pedals
PD-M324



Q'TY	ITEM NO.	SHIMANO CODE NO.	DESCRIPTION
	1	Y-41N 10000	Cap
	* 2	Y-41N 98010	Pedal Axle Assembly (Right / B.C. 9/16" x 20T.P.I)
		Y-41N 98050	Pedal Axle Assembly (Right / UNF 1/2" x 20T.P.I)
		Y-41N 98020	Pedal Axle Assembly (Left / B.C. 9/16" x 20T.P.I)
		Y-41N 98060	Pedal Axle Assembly (Left / UNF 1/2" x 20T.P.I)
	3	Y-41N 98030	Steel Ball (3/32") 62 pcs.
	4	Y-416 12000	Rubber Seal
	5	Y-41B 14000	Plate Fixing Bolt
		Y-41N 03000	Plate (Right)
	6	Y-41N 04000	Plate (Left)
	7	Y-41C 98011	Body Plate & Fixing Screws (M5)
	8	Y-424 98300	SM-SH55 Cleat Set (Multiple Release Mode / Pair)
		Y-424 98200	SM-SH51 Cleat Set (Single Release Mode / Pair)
	9	Y-41B 98010	Reflector Unit (4 pcs.)
	10	Y-41N 98040	TL-PD33 Cone Adjusting Tool Set