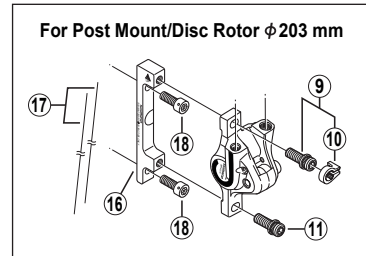
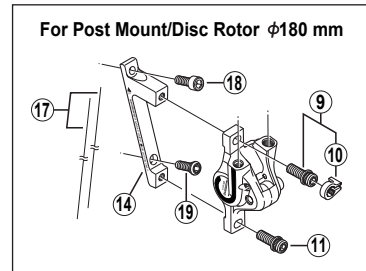
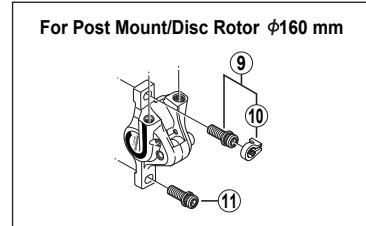
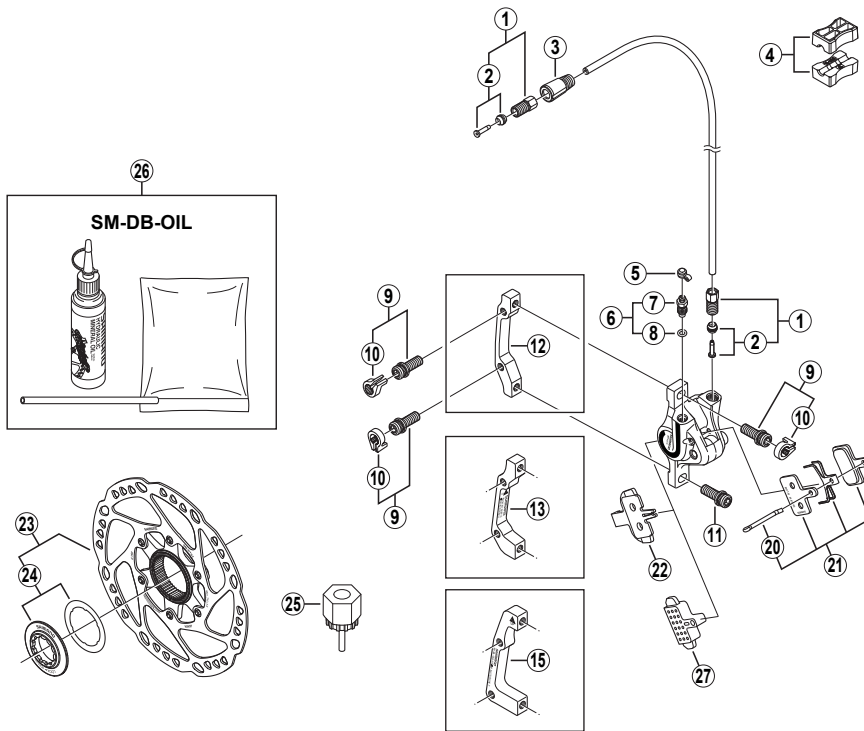


Front Disc Brake

BR-M575 Brake Caliper
SM-RT64 Disc Rotor

SM-BH59 Brake Hose



BR-M665
BR-T605

ITEM NO.	SHIMANO CODE NO.	DESCRIPTION	INTERCHANGEABILITY	
1	Y-8H2 98010	Connecting Bolt Unit	A	A
2	Y-8H2 98020	Olive & Connecting Insert	A	A
3	Y-8H2 03010	Cover	A	A
4	Y-8H1 98030	TL-BH61 Special Tool (2 pcs.)	A	A
5	Y-8B2 14000	Bleed Nipple Cap	A	A
6	Y-8ES 98020	Bleed Nipple & Seal Ring		
7	Y-8CL 24100	Bleed Nipple		
8	Y-8B5 11000	O-Ring for Bleed Nipple		
9	Y-8DS 98010	Adapter Fixing Bolt (M6 x 18.7) & Stop Ring	A	A
10	Y-8C5 11000	Stop Ring	A	A
11	Y-8C5 09020	Adapter Fixing Bolt (M6 x 18.7)	A	A
12	Y-8DB 11100	A-Standard Mount Adapter for Disc Rotor φ160 mm	A	A
13	Y-817 31100	A-Standard Mount Adapter (SM-MA-F180P/S) for Disc Rotor φ180 mm		
14	Y-817 34100	Post Mount Adapter (SM-MA-F180P/P) for Disc Rotor φ180 mm		
15	Y-8CZ 01100	A-Standard Mount Adapter (SM-MA-F203P/S) for Disc Rotor φ203 mm		
16	Y-8CZ 01130	Post Mount Adapter (SM-MA-F203P/P) for Disc Rotor φ203 mm		
17	Y-8B2 98010	Wire (2 pcs.)	A	A
18	Y-8B2 32200	Adapter Fixing Bolt (M6 x 15) for Wire Type	A	A
19	Y-8AA 43130	Adapter Fixing Bolt (M6 x 15)	A	A
20	Y-8DB 06000	Split Pin	A	A
21	Y-8ES 98030	Resin Pad (B01S) & Spring w/Split Pin		
	Y-8FL 98010	Metal Pad (E01S) & Spring w/Split Pin		
22	Y-8C5 15000	Pad Spacer		
23	I-SMRT64	SM-RT64 Disc Rotor Unit (φ160 mm)	A	A
	I-SMRT64M	SM-RT64M Disc Rotor Unit (φ180 mm)	A	A
	I-SMRT64L	SM-RT64L Disc Rotor Unit (φ203 mm)	A	A
24	Y-8HS 98030	Lock Ring & Washer	A	A
25	Y-120 09230	TL-LR15 Lock Ring Removal Tool	A	A
26	Y-839 98010	Mineral Oil Bleed Kit (50 ml)	A	A
* 27	Y-8FZ 05000	Bleeding Spacer		

A: Same parts.

B: Parts are usable, but differ in materials, appearance, finish, size, etc.

Absence of mark indicates non-interchangeability.

0901-2867B

Specifications are subject to change without notice.

SHIMANO