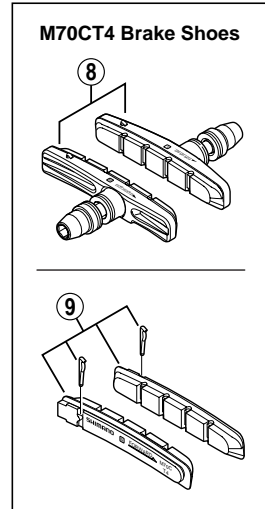
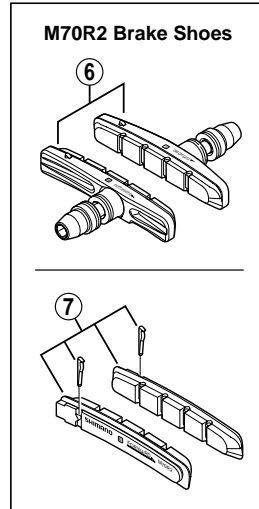
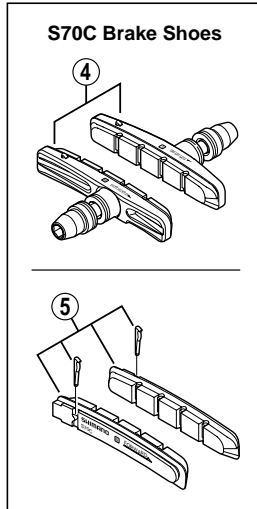
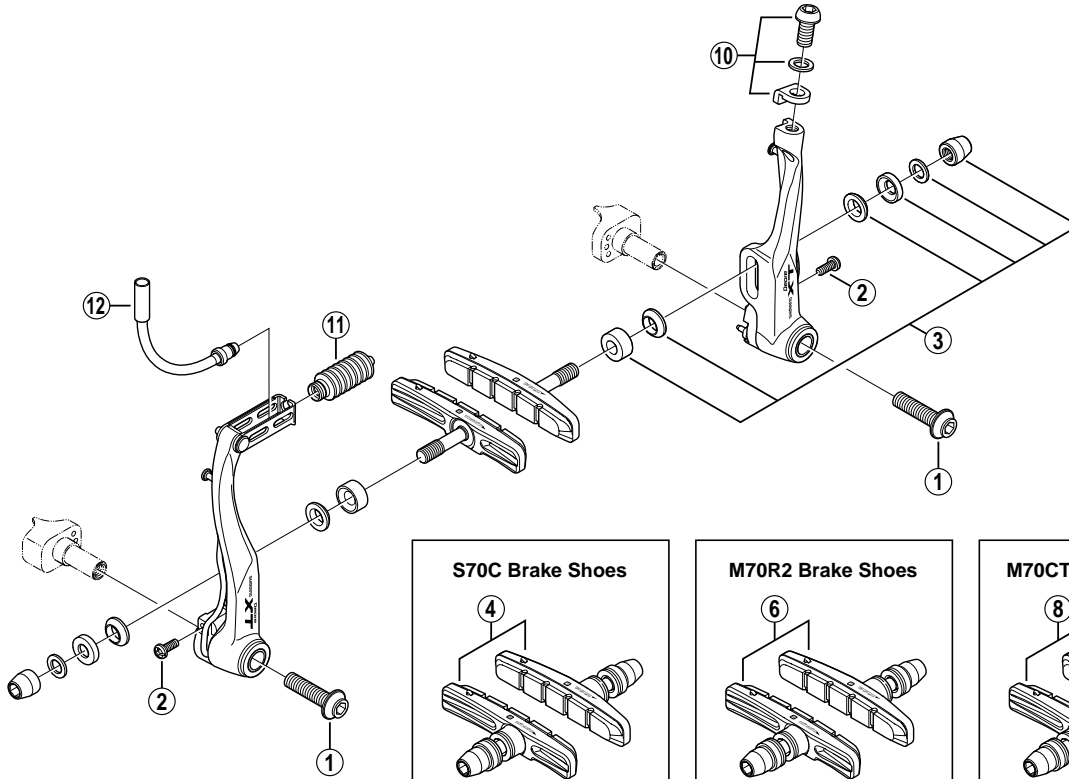


DEORE XT V-BRAKE Brake BR-M770



ITEM NO.	SHIMANO CODE NO.	DESCRIPTION	INTERCHANGEABILITY	
			BR-M770	BR-M760
1	Y-8EM07010	Link Fixing Bolt (M6 x 25)		B
	Y-8EM07000	Link Fixing Bolt (M6 x 16)		B
2	Y-8GV 05000	Spring Tension Adjustment Screw (M3 x 8)	B	
3	Y-8EM98040	Shoe Fixing Nut Unit	B	B
4	Y-8EM9801A	S70C Cartridge-Type Brake Shoe Set (Pair)	B	B
5	Y-8AA 98130	S70C Cartridge-Type Brake Shoes & Fixing Pins (Pair)	A	A
6	Y-8EM9802A	M70R2 Cartridge-Type Brake Shoe Set (Pair)	B	B
7	Y-8AA 98020	M70R2 Cartridge-Type Brake Shoes & Fixing Pins (Pair)	A	A
8	Y-8EM9803A	M70CT4 Cartridge-Type Brake Shoe Set (Pair)	B	B
9	Y-8A2 98060	M70CT4 Cartridge-Type Brake Shoes & Fixing Pins (Pair)	A	A
10	Y-8BV 98020	Cable Fixing Bolt Unit (M6 x 11.5)		B
11	Y-8BP 14000	Boot	B	A
	Y-8AA 98070	Inner Cable Lead Unit (90°: Middle)	A	A
	Y-8AA 98080	Inner Cable Lead Unit (135°: Long)	A	A
	Y-8AA 98120	Inner Cable Lead Unit (45°: Short)	A	A

A: Same parts.

B: Parts are usable, but differ in materials, appearance, finish, size, etc.

Absence of mark indicates non-interchangeability.

0707-2690

Specifications are subject to change without notice.

SHIMANO