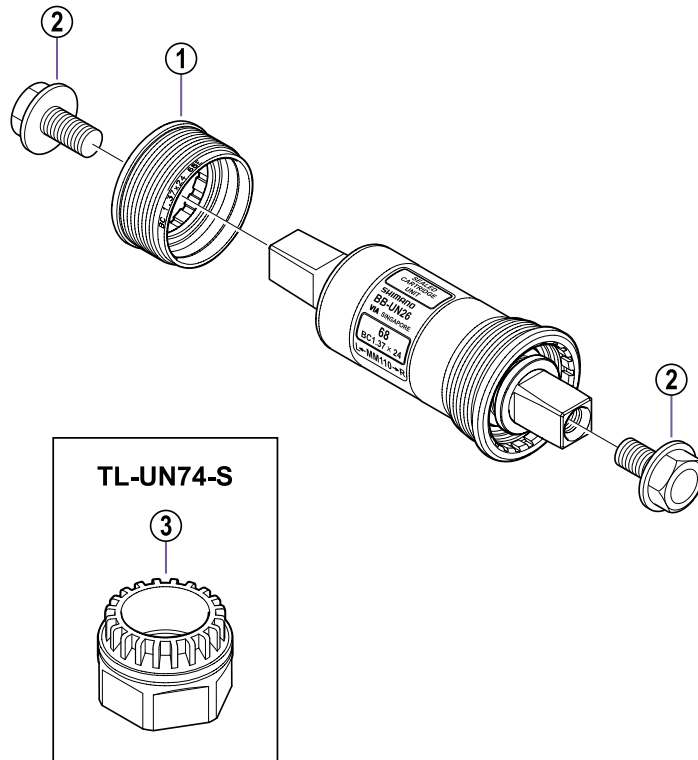


Bottom Bracket Assembly

BB-UN26 **BB-UN26-K**
BB-UN26-E **BB-UN26-EK**



ITEM NO.	SHIMANO CODE NO.	DESCRIPTION
1	Y-1SG05000	Left Hand Adapter (B.C.1.37" x 24T) English Thread for (BB-UN26: Shell Width 68 mm / D-EL)
	Y-1SG05030	Left Hand Adapter (B.C.1.37" x 24T) English Thread for (BB-UN26: Shell Width 68 mm / MM110·LL113·YL117·D-NL) (BB-UN26-E: Shell Width 68 mm)
	Y-1SG05100	Left Hand Adapter (B.C.1.37" x 24T) English Thread for (BB-UN26-K: Shell Width 68 mm / 117.5·130)
	Y-1SG05020	Left Hand Adapter (B.C.1.37" x 24T) English Thread for (BB-UN26: Shell Width 73 mm) (BB-UN26-EK: Shell Width 68 mm) (BB-UN26-K: Shell Width 68 mm / MM110·LL113·YL117·D-NL)
	Y-1SG05040	Left Hand Adapter (B.C.1.37" x 24T) English Thread for (BB-UN26-E: Shell Width 73 mm)
	Y-1SG05010	Left Hand Adapter (M36 x 24T) Italian Thread for (BB-UN26: Shell Width 70 mm)
2	Y-155 07000	Crank Arm Fixing Bolt
3	Y-130 09073	Adapter Removal Tool (TL-UN74-S)

0504-2438