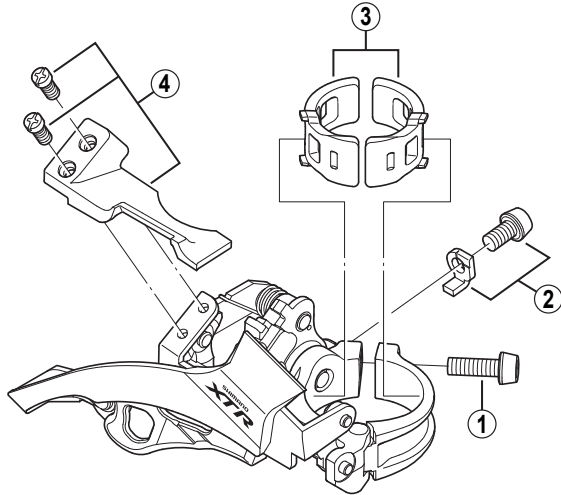


XTR Top Swing Front Derailleur

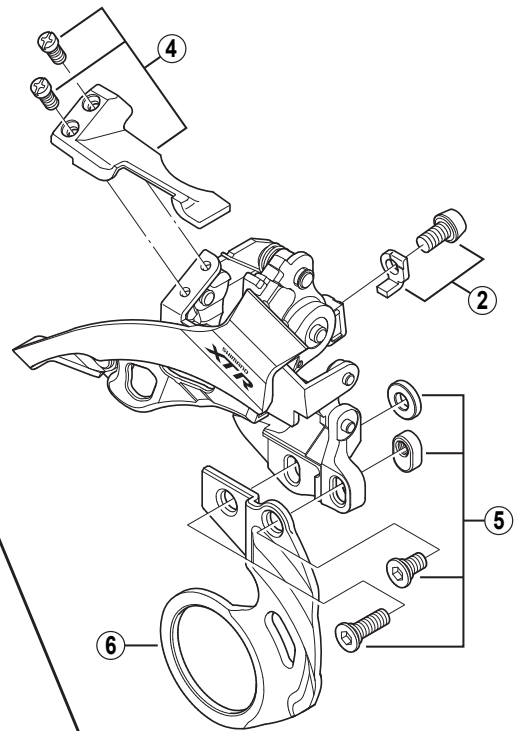
FD-M970

FD-M970-E Bracket Type

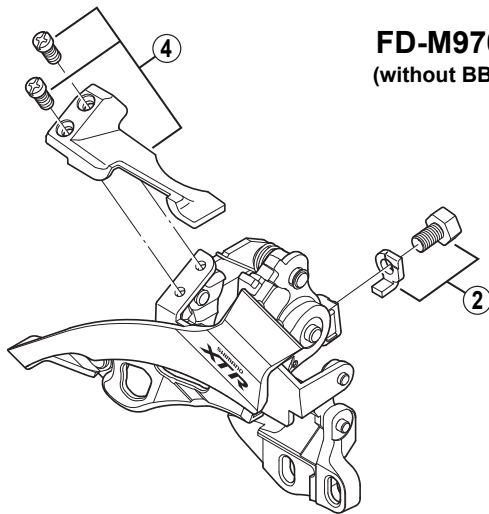
FD-M970



FD-M970-E



**FD-M970-E
(without BB-Plate)**



FD-M960
FD-M960-E

ITEM NO.	SHIMANO CODE NO.	DESCRIPTION	INTERCHANGEABILITY	
			FD-M960	FD-M960-E
1	Y-5A4 08070	Clamp Bolt (M5 x 17)		
*	Y-5HE 98010	Cable Fixing Plate & Bolt (M5 x 9)	A	A
	Y-5KV 98020	Cable Fixing Plate & Hexagon Head Bolt (9mm) for FD-M970-E without BB-Plate		
3	Y-57Y 98010	SM-AD16S Clamp Band Adapters for S-size / ϕ 28.6 mm (1-1/8")		
	Y-57Y 98020	SM-AD16M Clamp Band Adapters for M-size / ϕ 31.8 mm (1-1/4")		
4	Y-5K4 98010	Stroke Adjust Screws (M4 x 8.5) & Plate		
5	Y-5K4 98020	Bracket Fixing Bolt Unit		A
6	Y-5EC 50600	BB-Plate		B

A: Same parts.

B: Parts are usable, but differ in materials, appearance, finish, size, etc.

Absence of mark indicates non-interchangeability.

0806-2587B

Specifications are subject to change without notice.

SHIMANO