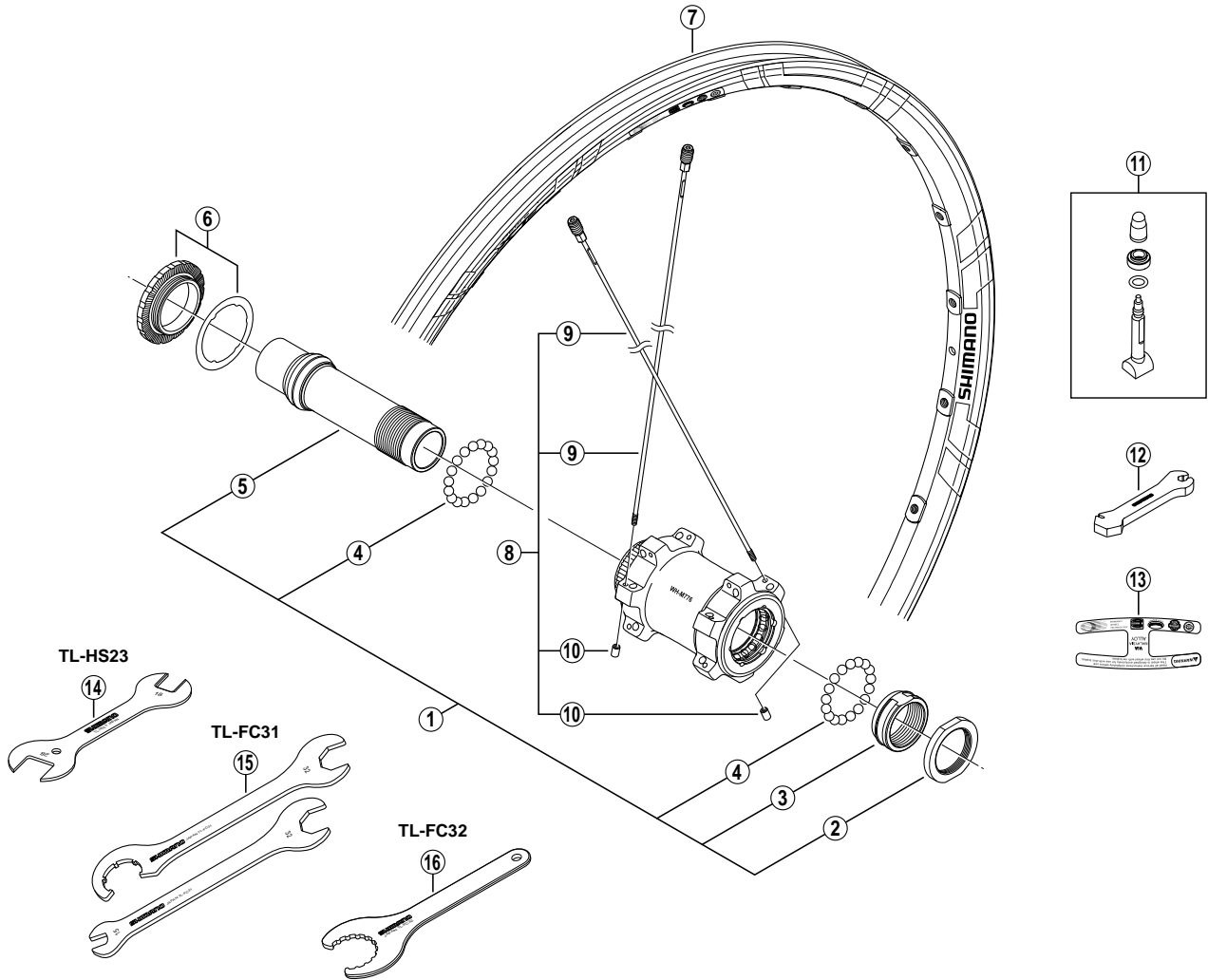


DEORE XT Front Wheel
WH-M776-F For Disc Brake



HB-M876
 WH-M775

ITEM NO.	SHIMANO CODE NO.	DESCRIPTION	INTERCHANGEABILITY
1	Y-4DD98010	Complete Hub Axle 110 mm	
2	Y-26L 14000	Lock Nut (M25)	B
3	Y-26H 08000	Right Hand Cone (M25)	A
4	Y-25U 98020	Steel Ball (3/16") 36 pcs.	B
5	Y-4DD98020	Hub Axle 110 mm	
6	Y-4DD98030	Lock Ring & Washer	B
* 7	E-WHRIM1UFDBD	Rim {24H / Black}	
* 8	E-WHSPOKE1VA1	Spoke Unit {Spoke (270 mm x 24 pcs.) / Spoke Plug (24 pcs.) / Washer (24 pcs.) / Hub Nut (24 pcs.)}	
9	Y-4DD98040	Spoke (270 mm) w/Plug & Washer	
10	Y-4CK89000	Hub Nut	A
11	Y-4CK98030	Valve Unit	A
12	Y-4DA09000	Spoke Plug Wrench	
13	Y-4DD11000	Rim Sticker C	
14	Y-20W04000	TL-HS23 for Right Hand Cone Removal Tool (18 mm & 28 mm)	A
15	Y-130 98100	TL-FC31 for Lock Nut Removal Tool	A
16	Y-130 09210	TL-FC32 for Lock Ring Removal Tool	A

A: Same parts.

B: Parts are usable, but differ in materials, appearance, finish, size, etc.

Absence of mark indicates non-interchangeability.

0707-2713A

Specifications are subject to change without notice.

SHIMANO