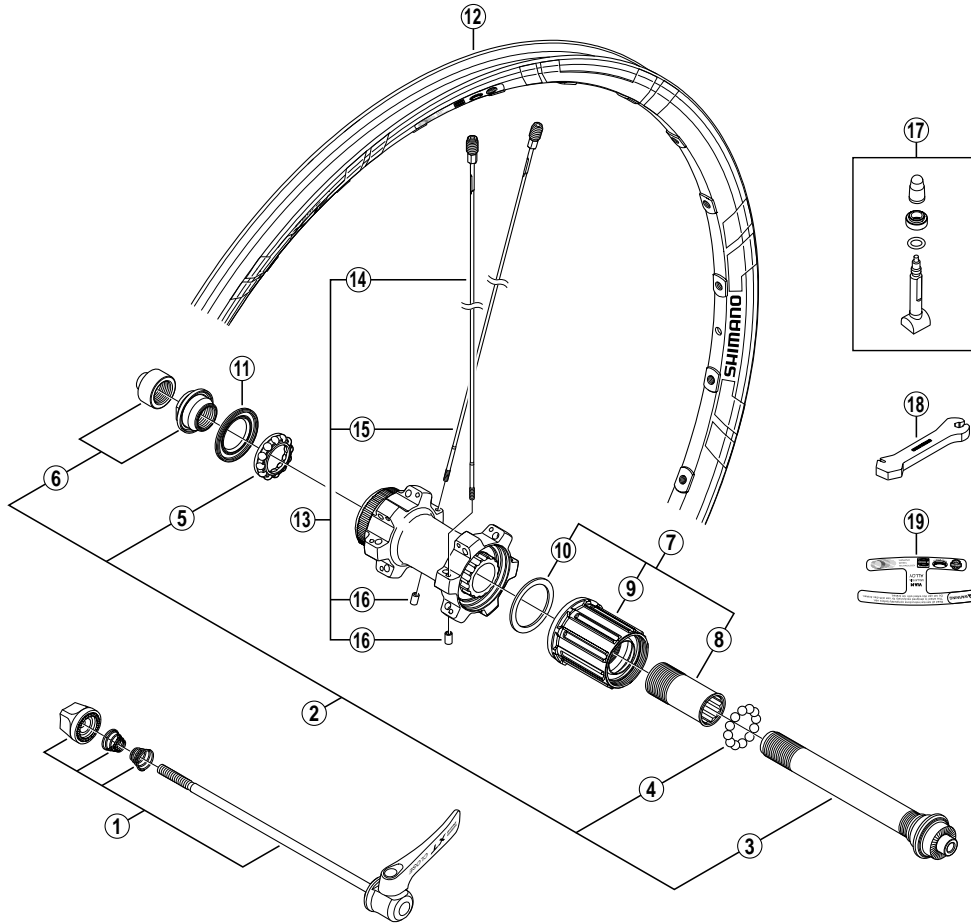


DEORE XT Rear Wheel (9-Speed)
WH-M776-R For Disc Brake



• Over Lock Nut Dimension: 135 mm (5-5/16")

ITEM NO.	SHIMANO CODE NO.	DESCRIPTION	INTERCHANGEABILITY	
			WH-M775	FH-M775
1	Y-3D0 98020	Complete Quick Release 168 mm (6-5/8")	A	B
2	Y-3D0 98050	Complete Hub Axle	A	A
3	Y-3CZ 98020	Hub Axle Unit	A	A
4	Y-000 91210	Steel Ball (3/16") 20 pcs.	A	A
5	Y-26J 98030	Ball Retainer (3/16")	A	A
6	Y-3D0 98060	Left Hand Lock Nut (M14) & Cone (M14) w/Dust Cover	A	A
7	Y-3CZ 98040	Complete Freewheel Body w/Body Fixing Bolt	A	A
8	Y-3CZ 18000	Body Fixing Bolt	A	A
9	Y-3CZ 98050	Freewheel Body Unit	A	A
10	Y-3CZ 12000	Freewheel Body Washer	A	A
11	Y-26D 10000	Seal Ring	A	A
* 12	E-WHRIM1URDBD	Rim {24H / Black}		
* 13	E-WHSPOKE1VB1	Spoke Unit {Spoke (272 mm x 12 pcs. & 270 mm x 12 pcs.) / Spoke Plug (24 pcs.) / Washer (24 pcs.) / Hub Nut (24 pcs.)}		
14	Y-4DD98040	Right Hand Spoke (270 mm) w/Plug & Washer		
15	Y-4DD98050	Left Hand Spoke (272 mm) w/Plug & Washer		
16	Y-4CK89000	Hub Nut	A	
17	Y-4CK98030	Valve Unit	A	
18	Y-4DA09000	Spoke Plug Wrench	A	
19	Y-4DD12000	Rim Sticker C		

A: Same parts.

B: Parts are usable, but differ in materials, appearance, finish, size, etc.

Absence of mark indicates non-interchangeability.

0707-2767A

Specifications are subject to change without notice.

SHIMANO