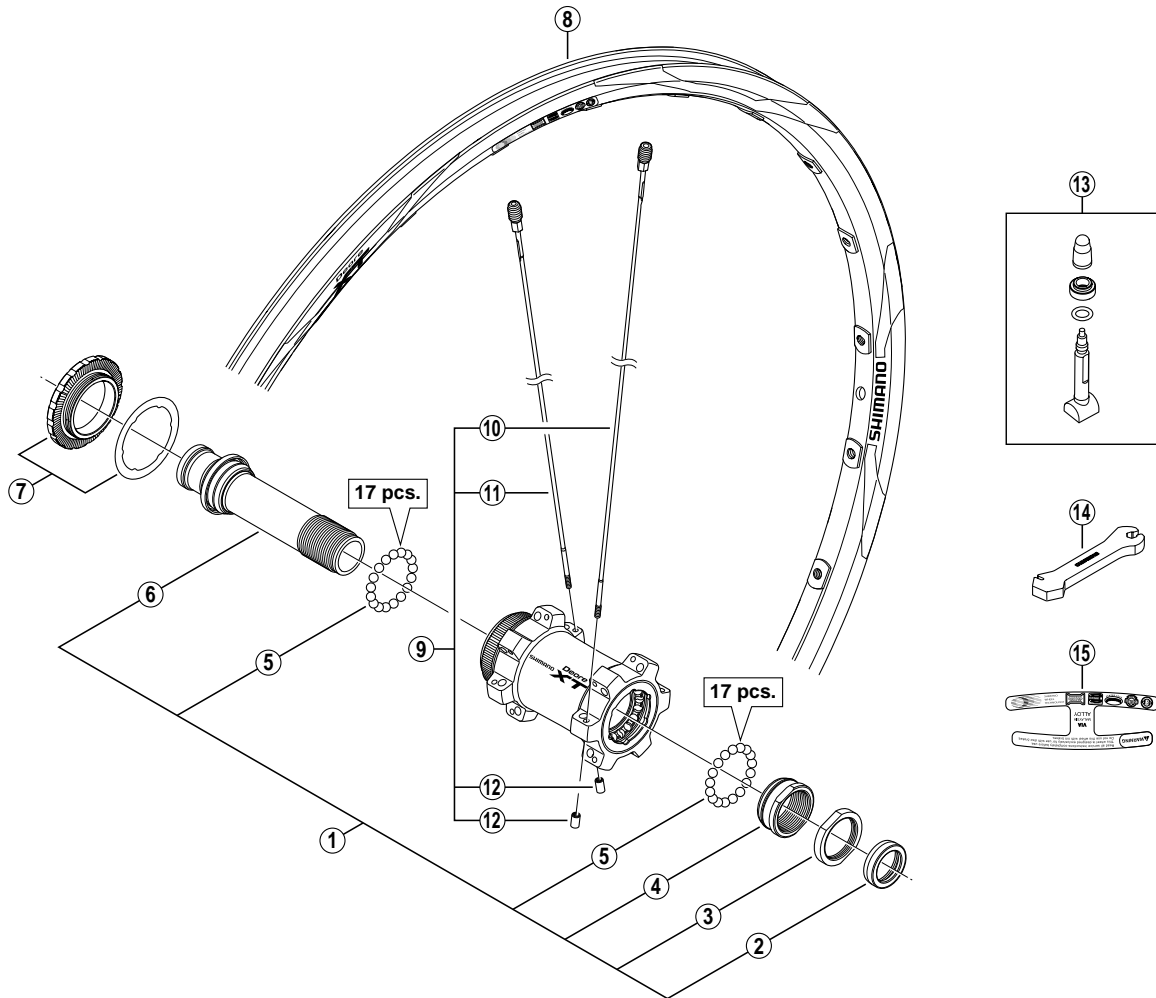


DEORE XT Front Wheel

WH-M778-F For Disc Brake



WH-M776-F
WH-M775-F

| ITEM NO. | SHIMANO CODE NO. | DESCRIPTION | INTERCHANGEABILITY | |
|----------|------------------|--|--------------------|---|
| 1 | Y-4FE 98010 | Complete Hub Axle | | |
| 2 | Y-4FE 98020 | Right Hand Contact Cap | | |
| 3 | Y-2TN 09000 | Lock Nut (M20) | | |
| 4 | Y-2TN 12000 | Right Hand Cone (M20) | | |
| 5 | Y-4FE 98030 | Steel Ball (5/32") 34 pcs. | | A |
| 6 | Y-4FE 98040 | Hub Axle 98 mm | | |
| 7 | Y-4DD98030 | Lock Ring & Washer | | |
| 8 | E-WHRIM1SDBD | Rim {24H / Black} | | A |
| 9 | E-WHSPoke1TC1 | Spoke Unit {Spoke (272 mm x 12 pcs. & 270 mm x 12 pcs.) / Spoke Plug (24 pcs.) / Washer (24 pcs.) / Hub Nut (24 pcs.)} | | A |
| 10 | Y-4D7 98030 | Right Hand Spoke (272 mm) w/Plug & Washer | | A |
| 11 | Y-4D7 98020 | Left Hand Spoke (270 mm) w/Plug & Washer | | A |
| 12 | Y-4CK89000 | Hub Nut | | A |
| 13 | Y-4CK98030 | Valve Unit | A | A |
| 14 | Y-4DA09000 | Spoke Plug Wrench | A | A |
| 15 | Y-4FE 06000 | Rim Sticker C | | |

A: Same parts.

B: Parts are usable, but differ in materials, appearance, finish, size, etc.
Absence of mark indicates non-interchangeability.

0807-2887

Specifications are subject to change without notice.

SHIMANO