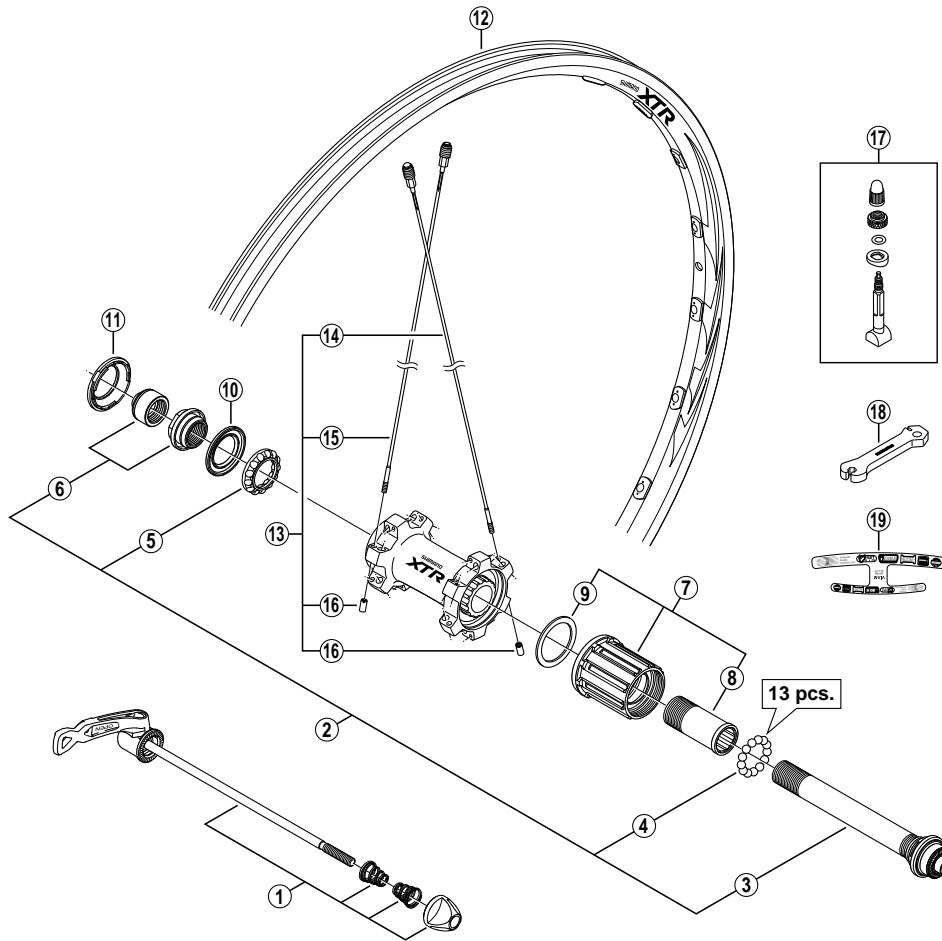


XTR Rear Wheel (9-Speed)

# WH-M970-R



• Over Lock Nut Dimension: 135 mm (5-5/16")

FH-M970  
WH-M975

ITEM NO.	SHIMANO CODE NO.	DESCRIPTION	INTERCHANGEABILITY
1	Y-3CN98010	Complete Quick Release 168 mm (6-5/8")	A
2	Y-3CN98030	Complete Hub Axle	A
3	Y-3CN98040	Hub Axle Unit	A
4	Y-000 91270	Stainless Ball (3/16") 22 pcs.	A
5	Y-25R 98080	Ball Retainer (3/16")	A
6	Y-3CN98050	Left Hand Lock Nut (M14) & Cone (M14) w/Dust Cover	A
7	Y-3CN98080	Complete Freewheel Body w/Body Fixing Bolt	A
8	Y-3CN17000	Body Fixing Bolt	A
9	Y-3CN07000	Freewheel Body Washer	A
10	Y-26D 10000	Seal Ring	A
11	Y-26D 12000	Cap	A
12	I-WHRIM1CRDBD	Rim {24H / Black / Clincher (Tubless Type)}	
13	I-WHSPOKE1FB1	Spoke Unit {Spoke (272 mm x 12 pcs. & 270 mm x 12 pcs.) / Spoke Plug (24 pcs.) / Washer (24 pcs.) / Hub Nut (24 pcs.)}	A
14	Y-4CK98020	Right Hand Spoke (270 mm) w/Plug & Washer	A
15	Y-4CK98010	Left Hand Spoke (272 mm) w/Plug & Washer	A
16	Y-4CK89000	Hub Nut	A
17	Y-4CM98020	Valve Unit	
18	Y-4CK19000	Spoke Plug Wrench	A
19	Y-4CM13000	Rim Sticker C	

A: Same parts.

B: Parts are usable, but differ in materials, appearance, finish, size, etc.

Absence of mark indicates non-interchangeability.

0806-2622B

Specifications are subject to change without notice.

# SHIMANO