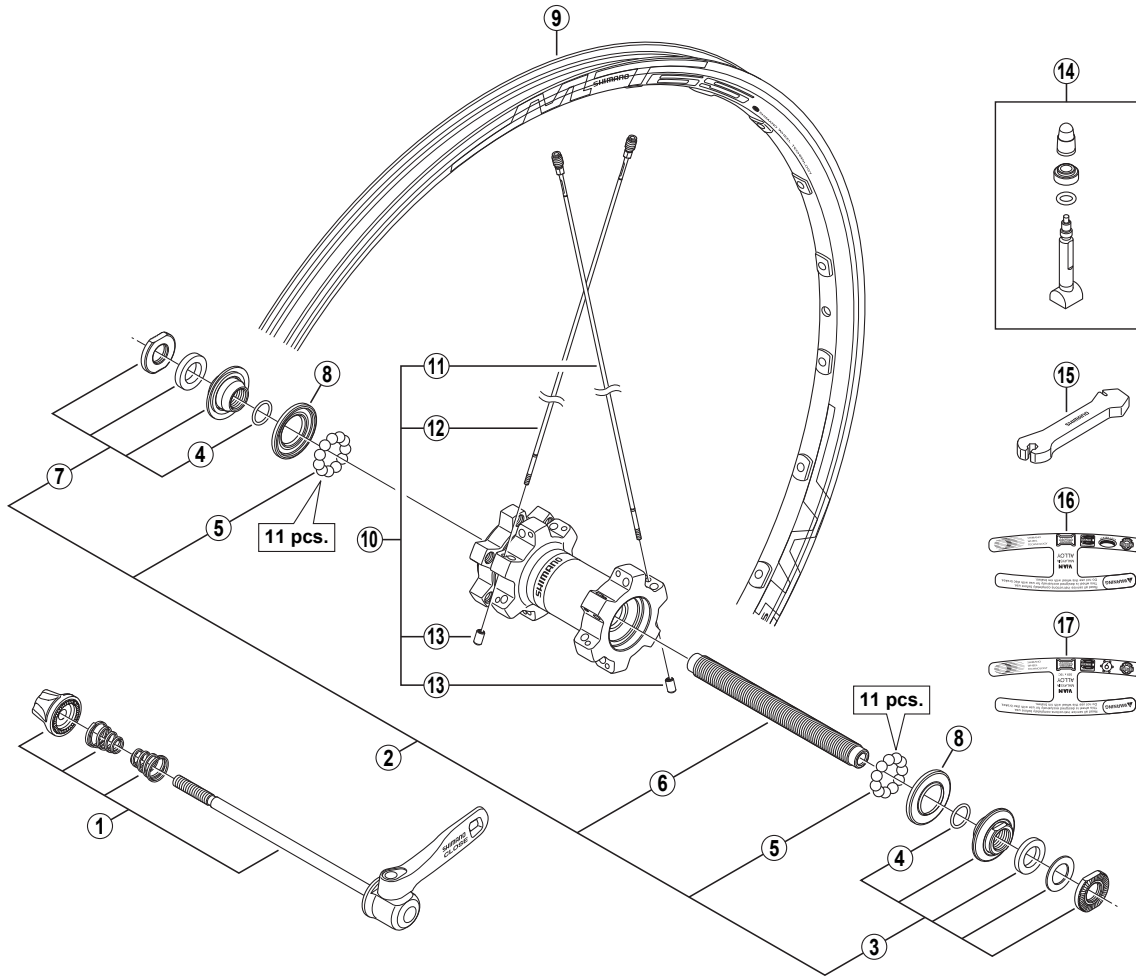


Front Wheel

WH-MT65-F For Disc Brake Center Lock

WH-MT65-F For Disc Brake 6-Bolt



• Over Lock Nut Dimension: 100 mm (3-15/16")

ITEM NO.	SHIMANO CODE NO.	DESCRIPTION	INTERCHANGEABILITY
1	Y-2ZB 98030	Complete Quick Release 133 mm (5-1/4")	A
2	Y-4FL 98010	Complete Hub Axle 108 mm (4-1/4")	A
3	Y-4FL 98020	Right Hand Lock Nut Unit	A
4	Y-2T8 04000	O-Ring	A
5	Y-4BB98030	Steel Ball (3/16") 22 pcs.	A
6	Y-25W03000	Hub Axle M10 x 108 mm (4-1/4")	A
7	Y-4FL 98030	Left Hand Lock Nut Unit	A
8	Y-2TA 06000	Seal Ring	A
* 9	E-WHRIM2EDBD	Rim {24H / Clincher (Tubeless Type)} for Center Lock	
	E-WHRIM2EDBDA	Rim {24H / Clincher (Tubeless Type)} for 6-Bolt	
10	E-WHSPKE2EC1	Spoke Unit {Spoke (272 mm x 12 pcs. & 270 mm x 12 pcs.) / Spoke Plug (24 pcs.) / Washer (24 pcs.) / Hub Nut (24 pcs.)}	
* 11	Y-4EZ 98050	Right Hand Spoke (272 mm) w/Plug & Washer	
* 12	Y-4EZ 98040	Left Hand Spoke (270 mm) w/Plug & Washer	
* 13	Y-4CK89000	Hub Nut	
14	Y-4CK98030	Valve Unit	A
15	Y-4DA09000	Spoke Plug Wrench	A
16	Y-4DA08000	Rim Sticker C for Center Lock	
17	Y-4EZ 13000	Rim Sticker C for 6-Bolt	

WH-MT75
WH-MT15

A: Same parts.

B: Parts are usable, but differ in materials, appearance, finish, size, etc.

Absence of mark indicates non-interchangeability.

Sep.-2009-2917A
© Shimano Inc. P

Specifications are subject to change without notice.

SHIMANO