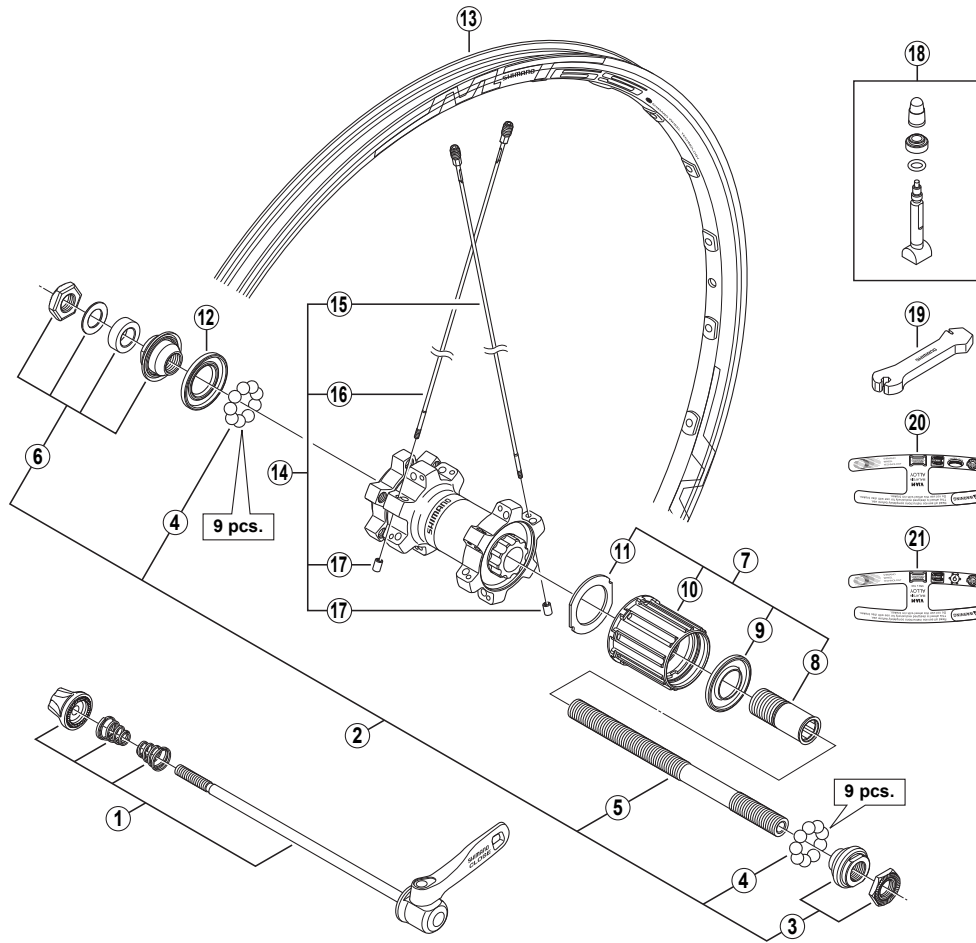


Rear Wheel (8/9-Speed)

WH-MT65-R For Disc Brake Center Lock

WH-MT65-R For Disc Brake 6-Bolt



• Over Lock Nut Dimension: 135 mm (5-5/16")

ITEM NO.	SHIMANO CODE NO.	DESCRIPTION	INTERCHANGEABILITY
1	Y-3D3 98010	Complete Quick Release 168 mm (6-5/8")	A
2	Y-4FL 98050	Complete Hub Axle 146 mm (5-3/4") for Center Lock	A
	Y-4EZ 98010	Complete Hub Axle 146 mm (5-3/4") for 6-Bolt	
3	Y-4FL 98060	Right Hand Lock Nut Unit	A
4	Y-000 91310	Steel Ball (1/4") 18 pcs.	A
5	Y-30K 01200	Hub Axle M10 x 146 mm (5-3/4")	A
6	Y-4FL 98070	Left Hand Lock Nut Unit for Center Lock	A
	Y-4EZ 98020	Left Hand Lock Nut Unit for 6-Bolt	
7	Y-4FL 98090	Complete Freewheel Body	A
8	Y-3BL 03000	Body Fixing Bolt	A
9	Y-3CR08000	Right Hand Seal Ring	A
10	Y-3D6 98050	Freewheel Body Unit	A
11	Y-3AN10000	Freewheel Body Washer	A
12	Y-3CR09000	Left Hand Seal Ring	
	E-WHRIM2EDBD	Rim {24H / Clincher (Tubeless Type)} for Center Lock	
* 13	E-WHRIM2EDBDA	Rim {24H / Clincher (Tubeless Type)} for 6-Bolt	
14	E-WHSPKE2EC1	Spoke Unit {Spoke (272 mm x 12 pcs. & 270 mm x 12 pcs.) / Spoke Plug (24 pcs.) / Washer (24 pcs.) / Hub Nut (24 pcs.)}	
* 15	Y-4EZ 98040	Right Hand Spoke (270 mm) w/Plug & Washer	
* 16	Y-4EZ 98050	Left Hand Spoke (272 mm) w/Plug & Washer	
* 17	Y-4CK89000	Hub Nut	
18	Y-4CK98030	Valve Unit	A
19	Y-4DA09000	Spoke Plug Wrench	A
20	Y-4DA08000	Rim Sticker C for Center Lock	
21	Y-4EZ 13000	Rim Sticker C for 6-Bolt	

WH-MT75
WH-MT15

A: Same parts.

B: Parts are usable, but differ in materials, appearance, finish, size, etc.

Absence of mark indicates non-interchangeability.

Sep.-2009-2918A
© Shimano Inc. P

Specifications are subject to change without notice.

SHIMANO