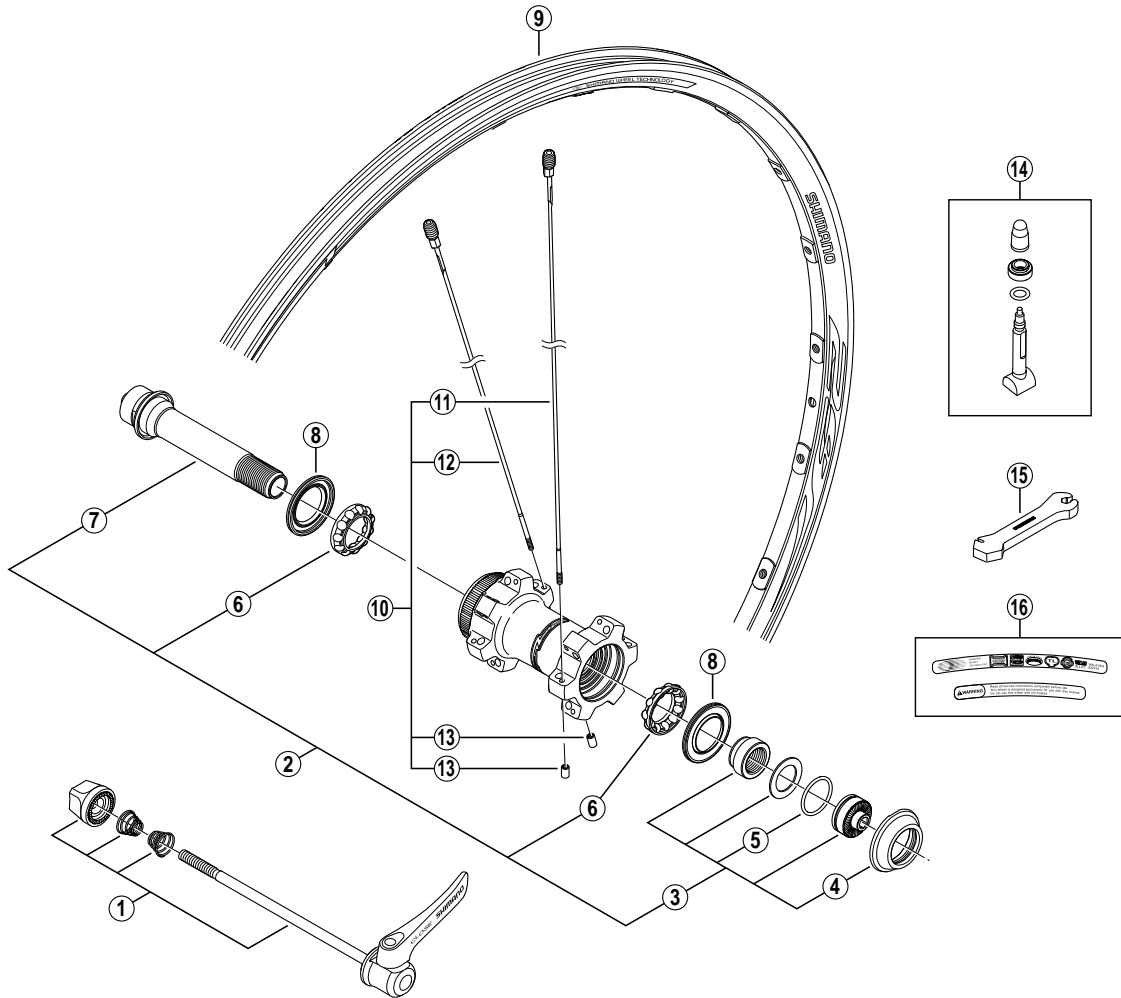


Front Wheel WH-MT75-F For Disc Brake



• Over Lock Nut Dimension: 100 mm (3-15/16")

ITEM NO.	SHIMANO CODE NO.	DESCRIPTION	INTERCHANGEABILITY		
			WH-MT75	WH-MT70	WH-M975
1	Y-4F2 98010	Complete Quick Release 133 mm (5-1/4")	B	B	B
2	Y-26K 98030	Complete Hub Axle	A		
3	Y-26J 98020	Lock Nut Unit	A	A	
4	Y-26J 11000	Dust Cap	A	A	
5	Y-26J 12000	O-Ring	A	A	
6	Y-26J 98030	Ball Retainer (3/16")	A	A	
7	Y-26K 98040	Hub Axle Unit	A		
8	Y-26D 10000	Seal Ring	A	A	A
9	E-WHRIM2BDBD	Rim {24H / Black}			
10	E-WHSPOKE2CC1	Spoke Unit {Spoke (303 mm x 12 pcs. & 301 mm x 12 pcs.) / Spoke Plug (24 pcs.) / Washer (24 pcs.) / Hub Nut (24 pcs.)}			
11	Y-4F2 98030	Right Hand Spoke (303 mm) w/Plug & Washer			
12	Y-4F2 98040	Left Hand Spoke (301 mm) w/Plug & Washer			
13	Y-4CK89000	Hub Nut	A	A	A
14	Y-4CK98030	Valve Unit	A	A	A
15	Y-4DA09000	Spoke Plug Wrench	A	A	B
16	Y-4F2 98050	Rim Sticker Unit			

A: Same parts.

B: Parts are usable, but differ in materials, appearance, finish, size, etc.

Absence of mark indicates non-interchangeability.

0806-2848

Specifications are subject to change without notice.

SHIMANO