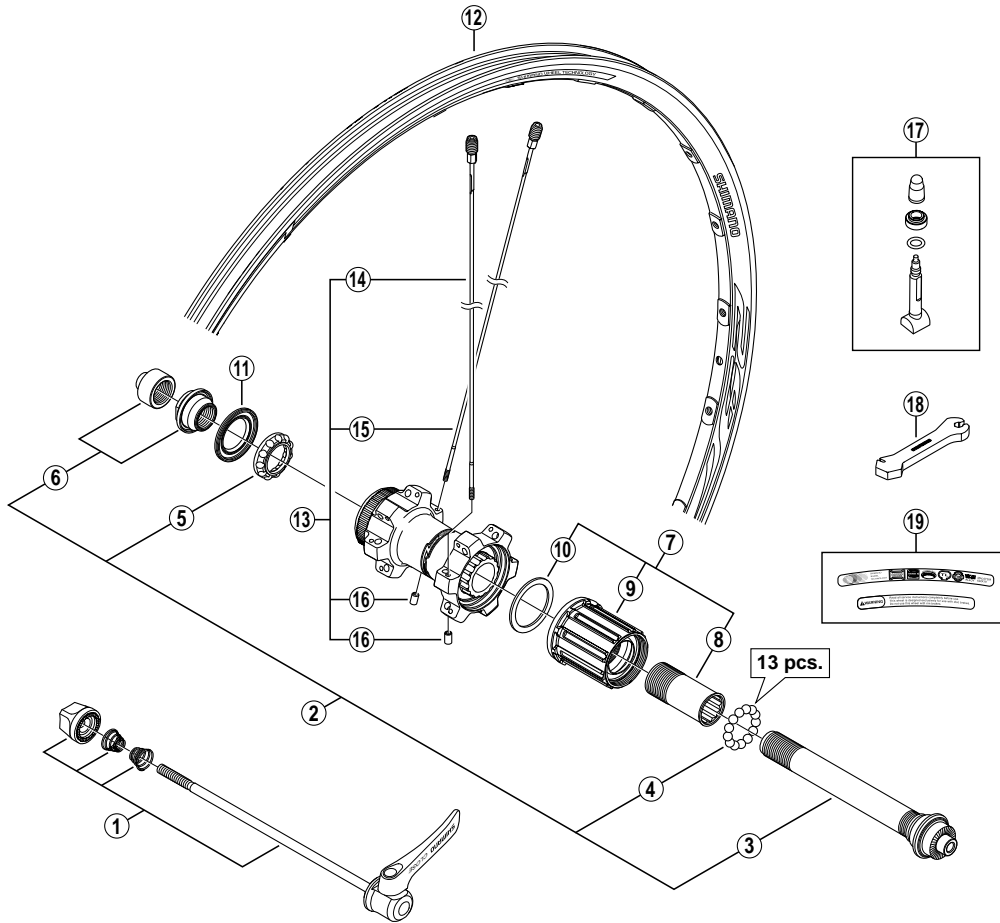


Rear Wheel (8/9-Speed) WH-MT75-R For Disc Brake



• Over Lock Nut Dimension: 135 mm (5-5/16")

WH-M775
WH-M770
WH-M975

ITEM NO.	SHIMANO CODE NO.	DESCRIPTION	INTERCHANGEABILITY
1	Y-4F2 98020	Complete Quick Release 168 mm (6-5/8")	B B B
2	Y-3D0 98050	Complete Hub Axle	A
3	Y-3CZ 98020	Hub Axle Unit	A A
4	Y-000 91210	Steel Ball (3/16") 20 pcs.	A A
5	Y-26J 98030	Ball Retainer (3/16")	A A
6	Y-3D0 98060	Left Hand Lock Nut (M14) & Cone (M14) w/Dust Cover	A
7	Y-3CZ 98040	Complete Freewheel Body w/Body Fixing Bolt	A A
8	Y-3CZ 18000	Body Fixing Bolt	A A
9	Y-3CZ 98050	Freewheel Body Unit	A A
10	Y-3CZ 12000	Freewheel Body Washer	A A
11	Y-26D 10000	Seal Ring	A A A
12	E-WHRIM2BDBD	Rim {24H / Black}	
13	E-WHSPOKE2CC1	Spoke Unit {Spoke (303 mm x 12 pcs. & 301 mm x 12 pcs.) / Spoke Plug (24 pcs.) / Washer (24 pcs.) / Hub Nut (24 pcs.)}	
14	Y-4F2 98040	Right Hand Spoke (301 mm) w/Plug & Washer	
15	Y-4F2 98030	Left Hand Spoke (303 mm) w/Plug & Washer	
16	Y-4CK89000	Hub Nut	A A A
17	Y-4CK98030	Valve Unit	A A A
18	Y-4DA09000	Spoke Plug Wrench	A A B
19	Y-4F2 98050	Rim Sticker Unit	

A: Same parts.

B: Parts are usable, but differ in materials, appearance, finish, size, etc.

Absence of mark indicates non-interchangeability.

0806-2849

Specifications are subject to change without notice.

SHIMANO