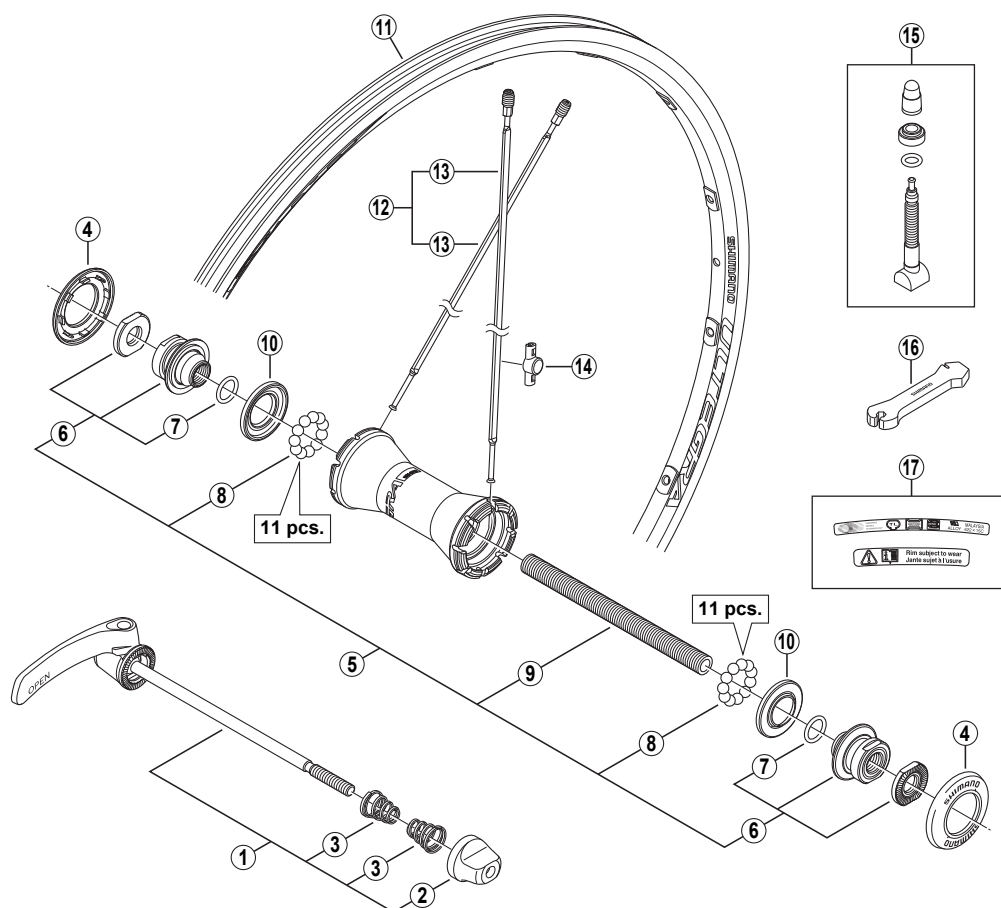


# ULTEGRA Front Wheel WH-6700-F



• Over Lock Nut Dimension: 100 mm (3-15/16")

ITEM NO.	SHIMANO CODE NO.	DESCRIPTION	INTERCHANGEABILITY
1	Y-27S 98010	Complete Quick Release 133 mm (5-1/4")	
2	Y-23W91100	Quick Release Nut	
3	Y-231 11000	Volute Spring	
4	Y-4CB13000	Hub Cap	A
5	Y-4F8 98020	Complete Hub Axle 108 mm (4-1/4")	
6	Y-4F8 98030	Lock Nut Unit	
7	Y-2T8 04000	O-Ring	A A A
8	Y-4BB98030	Steel Ball (3/16") 22 pcs.	A A A
9	Y-21C 03100	Hub Axle M9 x 108 mm (4-1/4")	A A A
10	Y-2TA 06000	Seal Ring	A A
11	E-WHRIM2DFGBD	Rim {16H / Black / Clincher (Tubeless Type)}	
12	E-WHSPOKE2DA1	Spoke Unit {Spoke (284 mm x 16 pcs.) / Spoke Plug (16 pcs.) / Washer (16 pcs.)}	
13	—	Spoke (284 mm) w/Plug & Washer	
14	Y-4EF 98060	Magnet Sensor	
15	Y-4DS98020	Valve Unit	
16	Y-4CK19000	Spoke Plug Wrench	
17	Y-4FP 98080	Rim Sticker Unit	

WH-RS20  
WH-RS10  
WH-6600

A: Same parts.

B: Parts are usable, but differ in materials, appearance, finish, size, etc.

Absence of mark indicates non-interchangeability.

Jun.-2009-2915

© Shimano Inc.

Specifications are subject to change without notice.

# SHIMANO