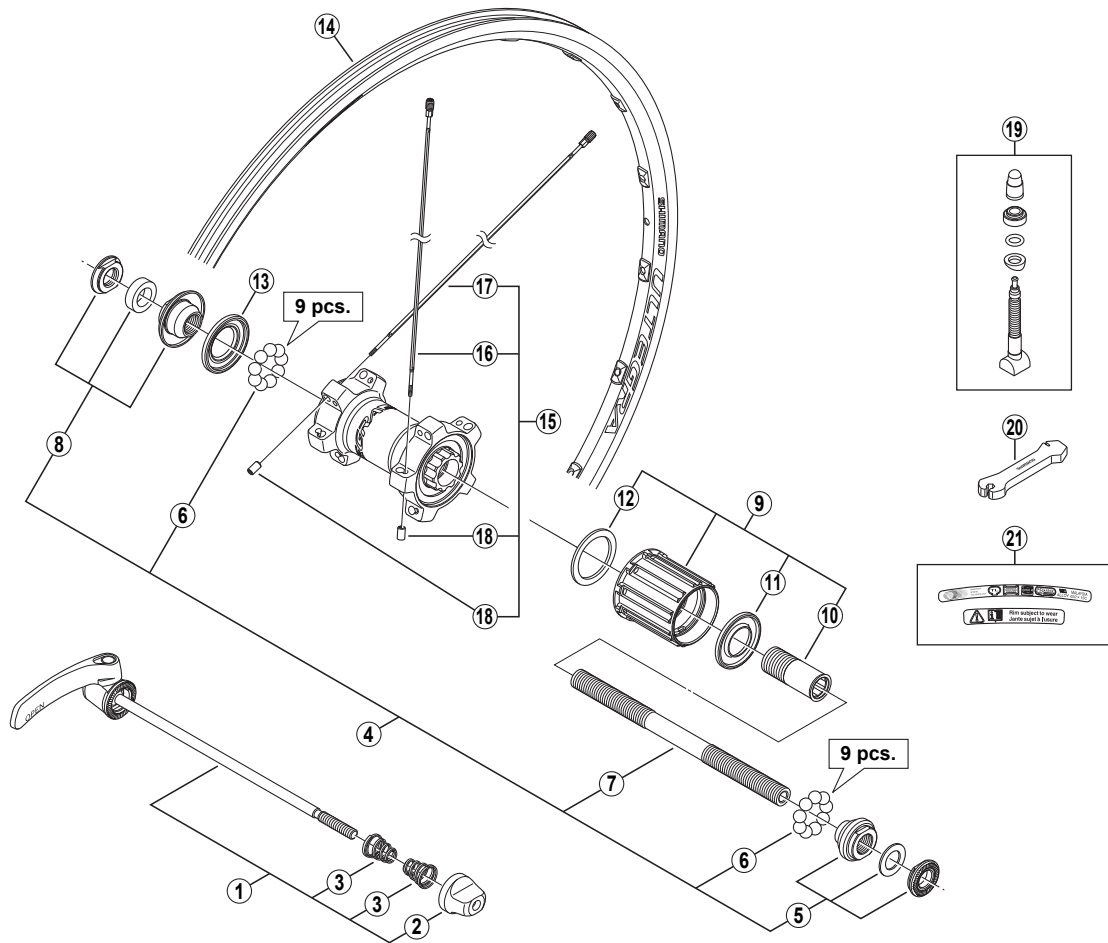


ULTEGRA Rear Wheel

WH-6700-R 8/9/10-Speed



• Over Lock Nut Dimension: 130 mm (5-1/8")

ITEM NO.	SHIMANO CODE NO.	DESCRIPTION	INTERCHANGEABILITY	
			WH-RS20	WH-RS10
1	Y-3DV 98010	Complete Quick Release 163 mm (6-13/32")		
2	Y-23W91100	Quick Release Nut		
3	Y-231 11000	Volute Spring		
4	Y-4FP 98010	Complete Hub Axle 141 mm (5-9/16")		
5	Y-4FP 98020	Right Hand Lock Nut Unit		
6	Y-000 91310	Steel Ball (1/4") 18 pcs.	A	A
7	Y-360 19109	Hub Axle M10 x 141 mm (5-9/16")		
8	Y-4FP 98030	Left Hand Lock Nut Unit		
9	Y-4FP 98050	Complete Freewheel Body		
10	Y-359 04000	Body Fixing Bolt	A	A
11	Y-3CR 08000	Right Hand Seal Ring	A	A
12	Y-375 04000	Freewheel Body Washer	A	A
13	Y-3CR 09000	Left Hand Seal Ring	A	A
14	E-WHRIM2DREBD	Rim {20H / Black / Clincher (Tubeless Type)}		
15	E-WHSPOKE2DB1	Spoke Unit {Spoke (304 mm x 10 pcs. & 306 mm x 10 pcs.) / Spoke Plug (20 pcs.) / Washer (20 pcs.) / Hub Nut (20 pcs.)}		
16	—	Right Hand Spoke (304 mm) w/Plug & Washer		
17	—	Left Hand Spoke (306 mm) w/Plug & Washer		
18	—	Hub Nut		
19	Y-4DS 98060	Valve Unit		
20	Y-4CK 19000	Spoke Plug Wrench		
21	Y-4FP 98070	Rim Sticker Unit		

A: Same parts.

B: Parts are usable, but differ in materials, appearance, finish, size, etc.

Absence of mark indicates non-interchangeability.

Jun.-2009-2916

© Shimano Inc.

Specifications are subject to change without notice.

SHIMANO