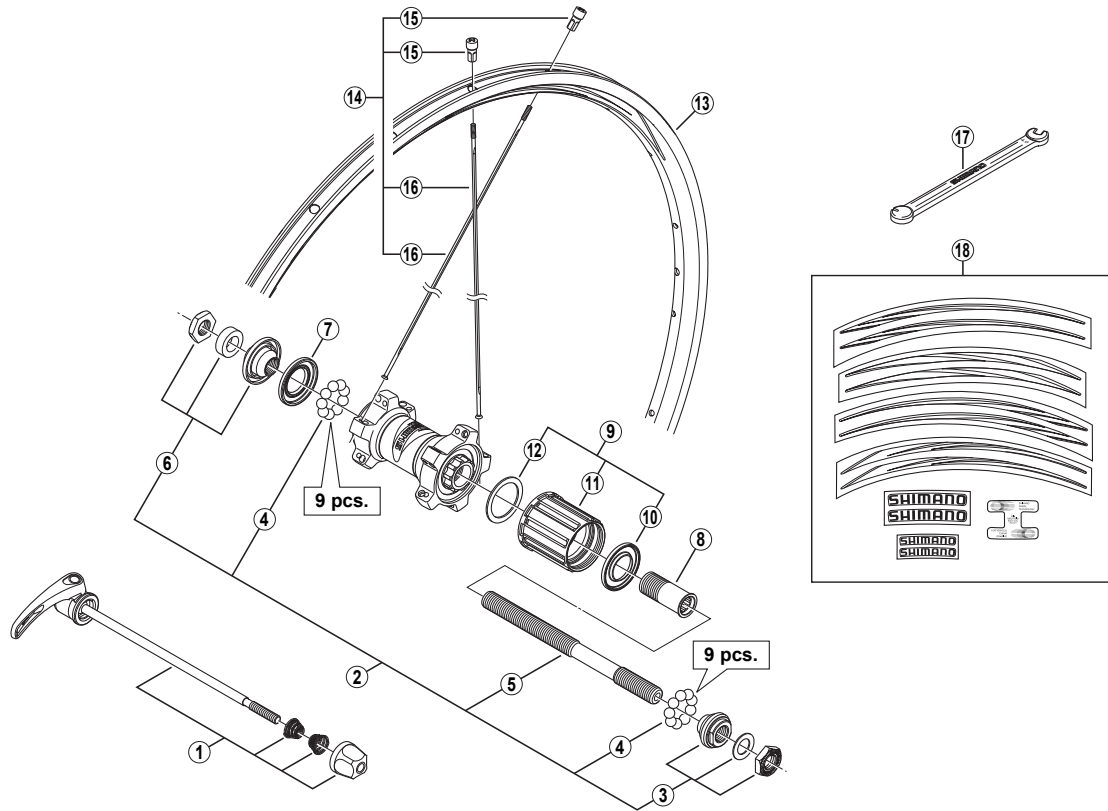


Rear Wheel (8/9/10-Speed)

WH-RS10-L-R Black Version

WH-RS10-S-R Silver Version



• Over Lock Nut Dimension: 130 mm (5-1/8")

ITEM NO.	SHIMANO CODE NO.	DESCRIPTION
1	Y-4DV 98080	Complete Quick Release 163 mm (6-13/32")
2	Y-4EW98070	Complete Hub Axle 141 mm (5-9/16")
3	Y-4EW98080	Right Hand Lock Nut Unit
4	Y-000 91310	Steel Ball (1/4") 18 pcs.
5	Y-30K 01100	Hub Axle 141 mm (5-9/16")
6	Y-4EW98100	Left Hand Lock Nut Unit
7	Y-3CR 09000	Left Hand Seal Ring
8	Y-359 04000	Body Fixing Bolt
9	Y-4DV 98110	Complete Freewheel Body
10	Y-3CR 08000	Right Hand Seal Ring
11	Y-4DV 98120	Freewheel Body Unit
12	Y-375 04000	Freewheel Body Washer
13	E-WHRIM1VREBCR	Rim for WH-RS10-L {20H / Black / Rim Sticker: Red}
	E-WHRIM1VREBCM	Rim for WH-RS10-L-M {20H / Black / Rim Sticker: Monotone}
	E-WHRIM1VREACR	Rim for WH-RS10-S {20H / Silver / Rim Sticker: Red}
	E-WHRIM1VREACM	Rim for WH-RS10-S-M {20H / Silver / Rim Sticker: Monotone}
*	E-WHSPOKE1WB1	Spoke Unit for WH-RS10-L {Spoke (Black/302 mm x 20 pcs.) / Nipple (Red/20 pcs.)}
*	E-WHSPOKE1WB2	Spoke Unit for WH-RS10-L-M {Spoke (Black/302 mm x 20 pcs.) / Nipple (Silver/20 pcs.)}
* 14	E-WHSPOKE1WB3	Spoke Unit for WH-RS10-S {Spoke (Silver/302 mm x 20 pcs.) / Nipple (Red/20 pcs.)}
*	E-WHSPOKE1WB4	Spoke Unit for WH-RS10-S-M {Spoke (Silver/302 mm x 20 pcs.) / Nipple (Black/20 pcs.)}
15	Y-012 Z4076	Nipple (Red) for WH-RS10-L/RS10-S
	Y-012 Z4070	Nipple (Silver) for WH-RS10-L-M
	Y-012 Z4075	Nipple (Black) for WH-RS10-S-M
16	Y-012 A6025	Spoke (302 mm/Black) for WH-RS10-L/RS10-L-M
	Y-012 A6022	Spoke (302 mm/Silver) for WH-RS10-S/RS10-S-M
17	Y-4DK 89000	TL-WH78 Nipple Wrench
18	Y-4DV 98130	Rim Sticker Unit (Red) for WH-RS10-L
	Y-4DV 98140	Rim Sticker Unit (Monotone) for WH-RS10-L-M
	Y-4DV 98150	Rim Sticker Unit (Red) for WH-RS10-S
	Y-4DV 98160	Rim Sticker Unit (Monotone) for WH-RS10-S-M

Sep.-2009-2746F
© Shimano Inc. P