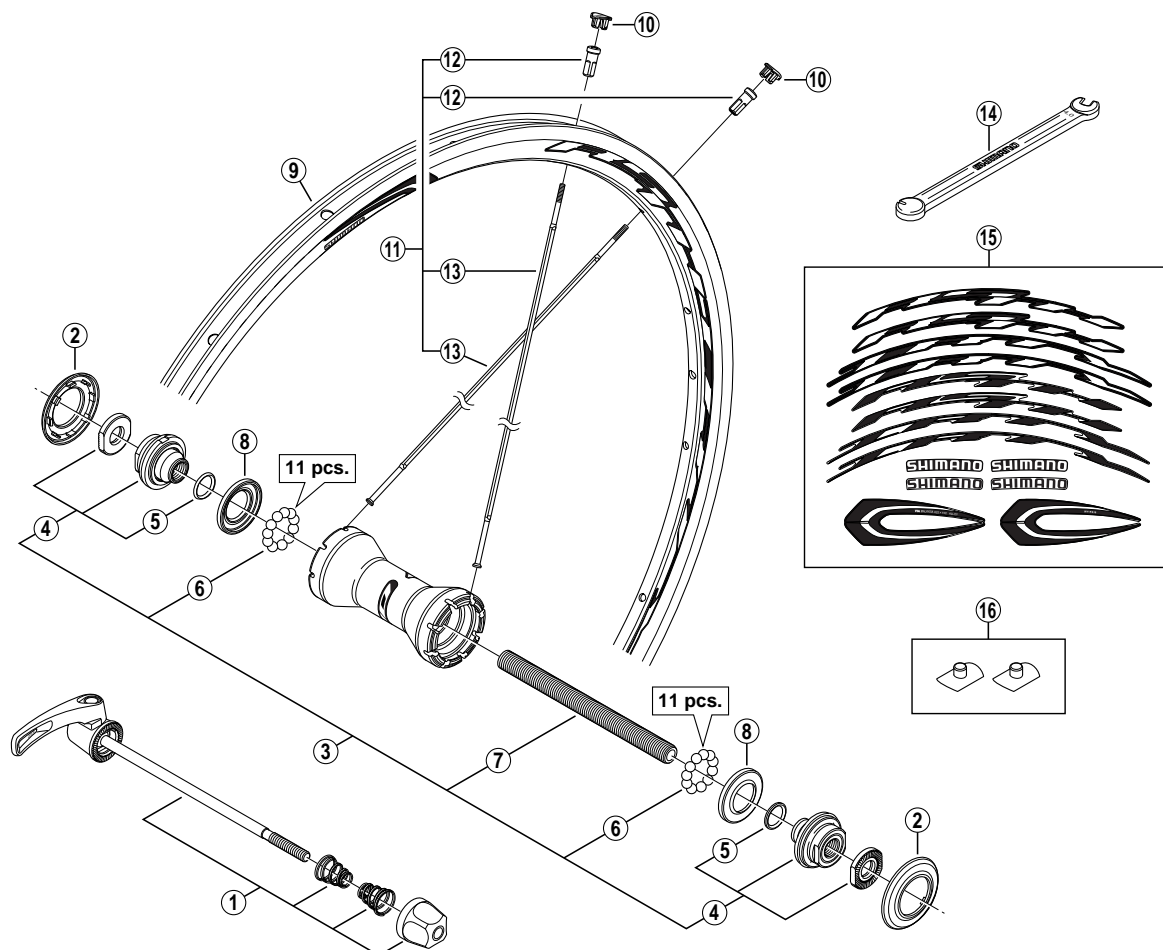


Front Wheel WH-RS30-F



• Over Lock Nut Dimension: 100 mm (3-15/16")

ITEM NO.	SHIMANO CODE NO.	DESCRIPTION	WH-RS80 WH-RS20 WH-RS10		
			INTERCHANGEABILITY		
1	Y-4EW98010	Complete Quick Release 133 mm (5-1/4")	B	B	B
2	Y-4CB 13400	Hub Cap	B	B	B
3	Y-4EW98020	Complete Hub Axle 108 mm (4-1/4")	B	B	B
4	Y-4EW98030	Lock Nut Unit	B	B	B
5	Y-2T8 04000	O-Ring	A	A	A
6	Y-4BB 98030	Steel Ball (3/16") 22 pcs.	A	A	A
7	Y-21C 03100	Hub Axle 108 mm (4-1/4")	A	A	A
8	Y-2TA 06000	Seal Ring	A	A	A
9	E-WHRIM1ZFGHC	Rim {16H}			
10	Y-4EF 98090	Spoke Hole Plug (20 pcs.)	A		
11	E-WHSPOKE2AA1	Spoke Unit {Spoke (278 mm x 16 pcs.) / Nipple (16 pcs.)}			
12	Y-012 Z4066	Nipple	A	B	B
13	Y-012 AN782	Spoke (278 mm)			
14	Y-4DK 89000	TL-WH78 Nipple Wrench	A	A	A
15	Y-4EW98050	Rim Sticker Unit			
16	Y-4EF 98100	Valve Hole Sheet (2 pcs.)	A		

A: Same parts.

B: Parts are usable, but differ in materials, appearance, finish, size, etc.
Absence of mark indicates non-interchangeability.

0806-2862

Specifications are subject to change without notice.

SHIMANO