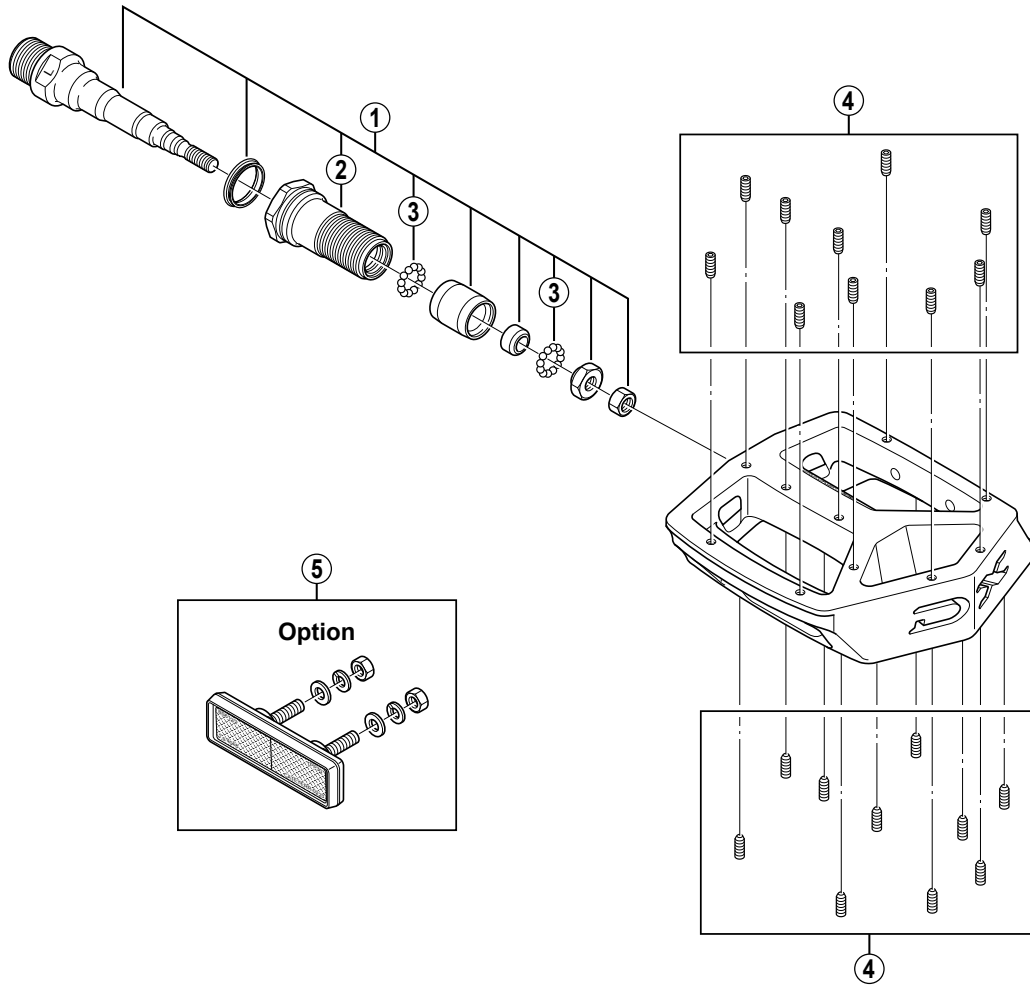


SHIMANO DX Pedals PD-MX30



ITEM NO.	SHIMANO CODE NO.	DESCRIPTION
* 1	Y-41F 98060	Pedal Axle Assembly (Right / B.C.9/16" x 20T.P.I.)
* 1	Y-41F 98070	Pedal Axle Assembly (Left / B.C.9/16" x 20T.P.I.)
* 2	Y-41F 98080	Lock Bolt (Right)
* 2	Y-41F 98090	Lock Bolt (Left)
* 3	Y-41N 98030	Steel Ball (3/32") 62 pcs.
4	Y-41K 98010	Pins (S-size / 10 pcs.)
	Y-41K 98020	Pins (L-size / 10 pcs.)
5	Y-41B 98010	Reflector Unit (4 pcs. / Option)

0407-1840C

Specifications are subject to change without notice.

SHIMANO